



Howard[®] 300/350 Rotavator[®] and Attachments

Parts List

(Incorporates parts bulletin HP1)

Howard Rotavator Co. Ltd.
A member of the Howard group

Saxham Bury St Edmunds
Suffolk IP28 6RP England
Telephone Bury St Edmunds (0284) 63266
Telex 817321

CONTENTS

Attachments	15-17
Backplate and chaincase	7
Clutch assembly	3
Engine conversion kits	11
Exhaust mufflers	19
Gearbox assembly	9
Handlebars	11
Machine transfers	11
Numerical parts list	20
Parts bulletin record	21
Power and frame unit	5
Reverse lock assembly	17
Rotor	13
Shields	11
Wheel and Rotor drive	7
Wheels	13

When ordering spare parts, it is essential to state the serial number for which the part is required, the part number (NOT the illustration number) and the description. The machine serial number plate (Ill. 146 see page 7) is attached to the left-hand side of the engine support frame beneath the engine. We cannot guarantee that correct parts will be supplied unless the correct machine number and part number is given.

In the following parts list, all directions "left" or "right" are as viewed from the rear of the machine.

NOTE FOR DEALERS

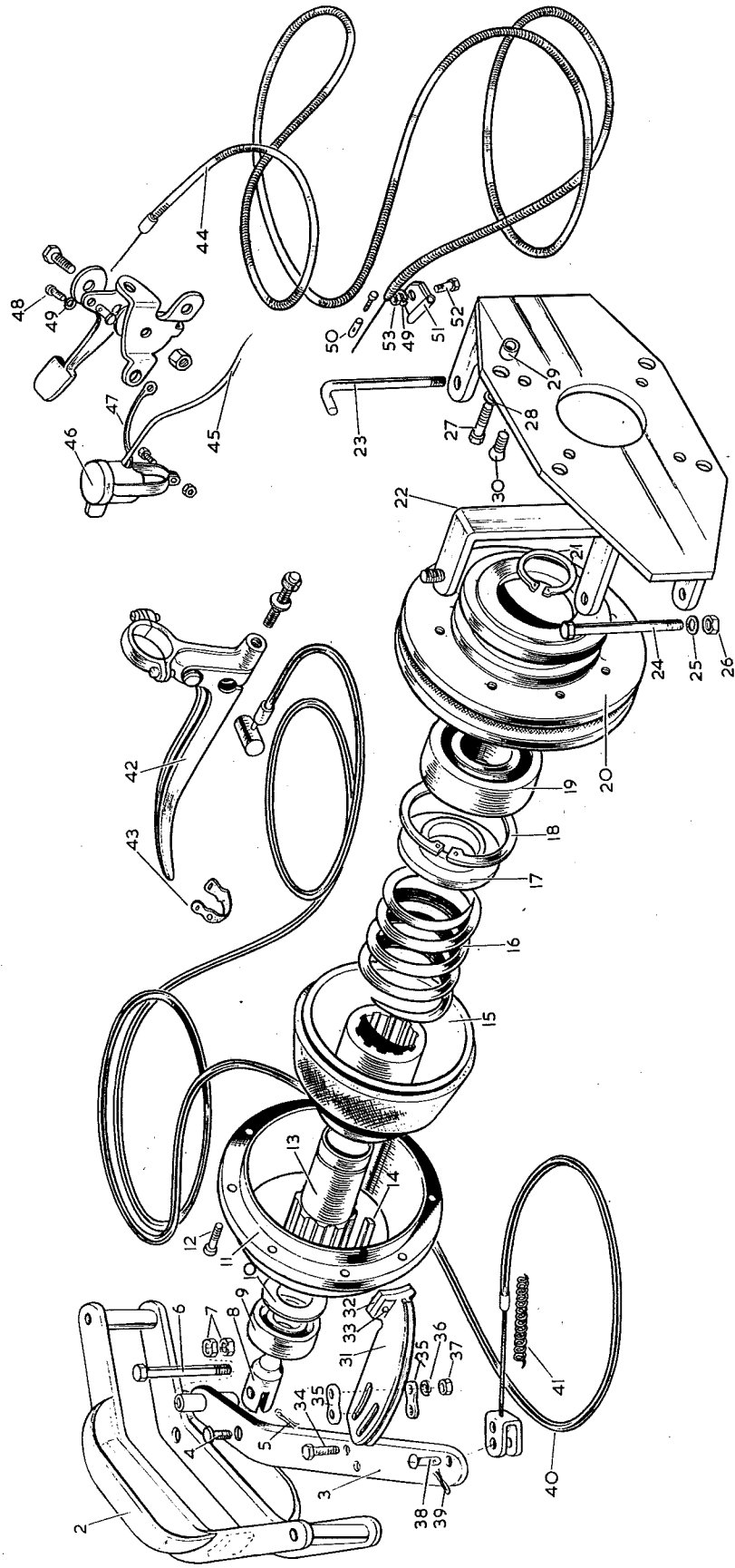
The Bulletin column provides space to record the reference number of any Parts Bulletin issued concerning that part.

The Bin number column is for you to record the location of that item in the stores.

When writing in the Bin locations, complete the numerical index first and then transfer the information to the other pages.

Howard 300/350 Parts List

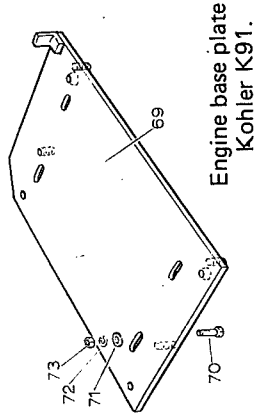
Clutch, Brake and Controls Assembly



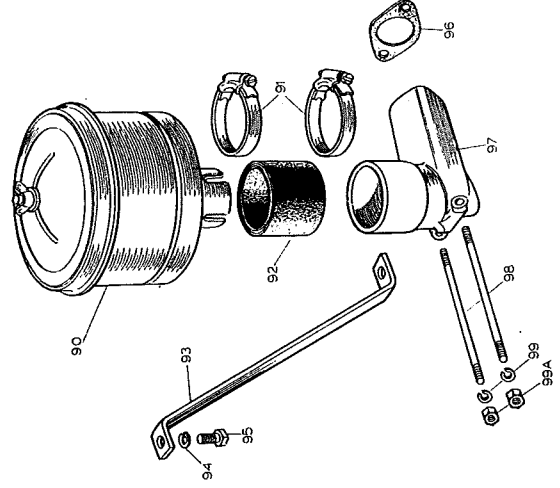
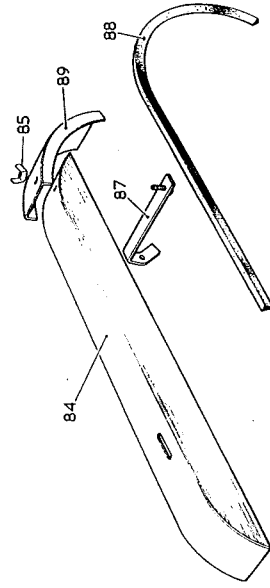
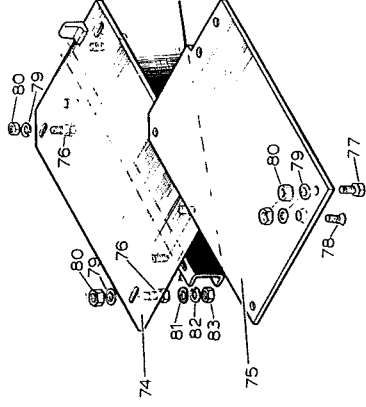
Illus. Part Number No.	Description	No. off	Bulletin	Bin No.
CLUTCH ASSEMBLY				
66919	Clutch assembly complete Briggs & Stratton	1		
68937	Illustration numbers 2-20, 22-26	1		
68923	Clutch assembly complete Kohler K91T	1		
	Illustration numbers 2-26, 30-36.			
	Clutch assembly complete Kohler K141T	1		
	Illustration numbers 2-29, 31-37			
2	Control frame	1		
3	Operating arm	1		
4	Pin	1		
5	Splitpin $\frac{1}{16}$ " dia. x $\frac{1}{2}$ " long	1		
6	Bolt $\frac{3}{16}$ " UNC x 2 $\frac{1}{2}$ " long	1		
7	Locknut $\frac{5}{16}$ " UNC	2		
68310	Cone clutch sub-assembly — Kohler K91	1		
67493	Cone clutch sub-assembly — up to machine serial number 3132827 Briggs & Stratton	1		
	3161266 Kohler K141	1		
	comprising:—			
8	Clutch release	1		
9	Ballrace — double sealed $\frac{5}{8}$ " i.d. x $1\frac{1}{16}$ " o.d. x $\frac{7}{16}$ " w.	1		
10	Washer	1		
11	Clutch cone outer	1		
12	Setscrew No. 10 UNC x $\frac{1}{2}$ " long Csk. head	8		
13	Clutch drive shaft K141 and Briggs & Stratton	1		
14	Clutch drive shaft K91	1		
15	Key K141 and Briggs & Stratton	1		
16	Clutch cone inner	1		
17	Spring	1		
N.I.	Spring pad	1		
67454	Thrust bearing pad	1		
67021	Thrust pad for K91	1		
19	Ballrace L.S. 12 RSSV 3	1		
	$1\frac{1}{2}$ " i.d. x 2 $\frac{1}{2}$ " o.d. x $\frac{11}{16}$ " w. double sealed			
66920	Engine pulley	1		
68924	*Cone clutch sub-assembly for Kohler K141T	1		
68925	*Cone clutch sub-assembly for Kohler K91T	1		
	*From machine serial number 3161267			
	comprising:—			
8	Clutch release	1		
9	Ballrace — Fischer 2062 — $\frac{3}{8}$ " i.d. x $1\frac{1}{16}$ " o.d. x $\frac{7}{16}$ " w. double sealed	1		
10	Washer	1		
11	Clutch cone outer	1		
12	Countersunk setscrew No. 10 UNC x $\frac{1}{2}$ " long	8		
13	Clutch drive shaft — for Kohler K91T	1		
208012320	Tension pin $\frac{3}{16}$ " dia. x $1\frac{1}{4}$ " long for Kohler K91	1		
13	Clutch drive shaft — for Kohler K141T	1		
14	Key — for Kohler K91T	1		
15	Key — for Kohler K141T	1		
16	Clutch cone inner and lining	1		
17	Spring	1		
68931	Spring pad	1		
18	208001160			
19	251227075			
20	68929			
21	208002080			
22	68313			
23	66440			
24	101205240			
25	108051030			
26	107205010			
27	101406065			
28	108061130			
29	316			
30	117305050			
31	68933			
32	68936			
33	208029030			
34	141410070			
35	69123			
36	108030545			
37	107210205			
34	343405255			
35	Not allocated			
36	Not allocated			
37	307205225			
38	34233			
39	208010040			
40	64417			
41	26575			
42	207001090			
43	208003290			
44	207001220			
45	203102330			
45	69460			
46	207005100			
47	67782			
48	103902030			
49	108030540			
50	203015810			
51	203210149			
52	101703040			
53	107503010			
54	58 not allocated			

Before this serial number, the condenser was mounted internally and the earth lead was part of the Kohler engine.

† NOTE:



Engine base plate
Kohler K91.

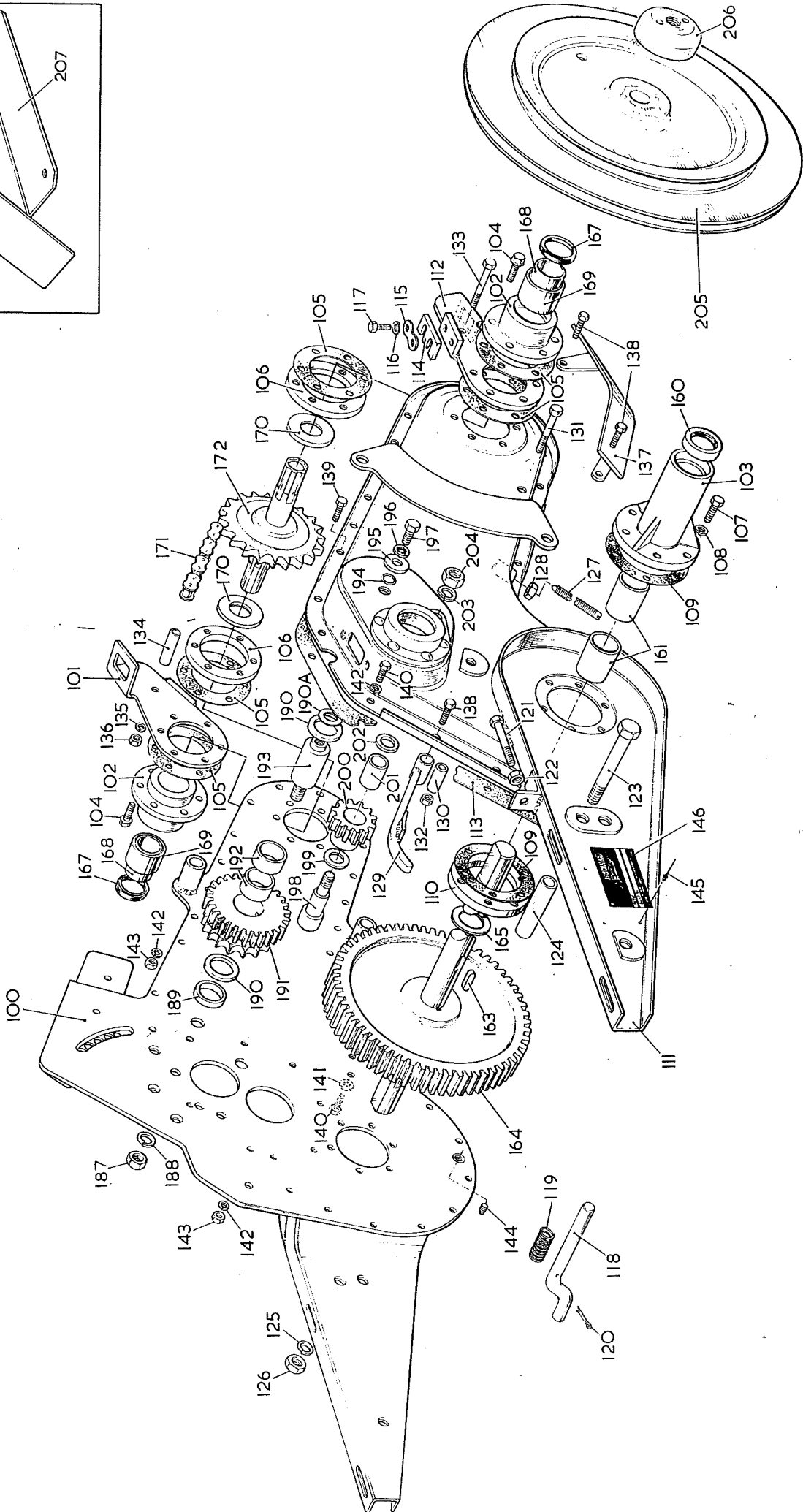
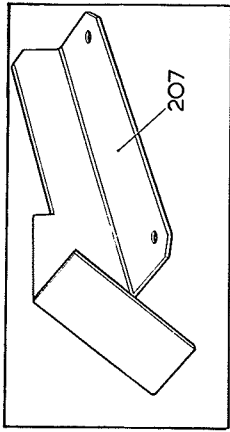


Illus. No.	Part Number	Description	No. off	Bulletin	Bin No.
POWER AND FRAME UNIT					
N.I.(59)		Kohler K91T engine - Howard '300'	1		
N.I.(60)		Kohler K141T engine - Howard '350'	1		
N.I.(61)		Muffler - Kohler Part no. 220145	1		
N.I.(62)		Gasket - Kohler Part no. 220122	1		
N.I.(63)		Muffler stud - Kohler Part no. 220133	2		
N.I.(64)		Nut - Kohler Part no. X-81-1	2		
N.I.(65)	68410	Exhaust gasket (Muffler elbow to engine)	1		
N.I.(66)	68317	Muffler elbow	1		
N.I.(67)	101204120	Bolt 1/4" UNC x 1 1/2" long	2		
N.I.(68)	108040840	Spring washer 1/4" dia.	2		
69	68306	Engine baseplate	1		
70	101405090	Bolt 5/16" UNC x 1 1/8" long	4		
71	108051010	Flat washer 5/16" dia.	4		
72	108050940	Spring washer 5/16" dia.	4		
73	107205010	Nut 5/16" UNC	4		
74	69551	Engine baseplate	1		
75	69553	Engine baseplate - upper	1		
76	101206125	Bolt 3/8" UNC x 1 1/2" long	2		
77	101406085	Setscrew 3/8" UNC x 1" long, hex. head	2		
78	102406105	Bolt 3/4" UNC x 1 1/4" long, slotted countersunk head	2		
79	108061145	Spring washer 3/8" dia.	6		
80	107206015	Nut 3/8" UNC	6		
81	108051010	Flat washer 5/16" dia.	4		
82	108050940	Spring washer 5/16" dia.	4		
83	107205010	Nut 5/16" UNC	4		
84	68318	Belt guard	1		
85	107205065	Wing nut 5/16" UNC	2		
86	108051010	Flat washer 1/8" dia.	1		
87	68831	Belt guard bracket	1		
88	65137	Vee-belt - Fenner Alpha 560 (204006170)	1		
89	69399	Belt guard extension	1		
	69338	Air cleaner assembly	1		
comprising:-					
90	203034040	Air cleaner Cooper ref. 4FD 1695A	1		
91	208003090	Hose clip - size 2A	2		
92	69340	Air cleaner hose	1		
93	69341	Stay	1		
94	108040840	Spring washer 1/2" dia.	1		
95	101404060	Setscrew 1/2" UNC x 3/4" long hex. head	1		
96	59915	Gasket	1		
97	69339	Elbow	1		
98	69363	Stud	2		
99	108030540	Spring washer 3/16" dia.	2		
99a	107208200	Nut no. 8 UNC	2		
ENGINE CONVERSION KITS					
	68919	Briggs & Stratton to Kohler K91T comprising:- Power unit - Kohler K91T Illus. no. 44-51, 59 61-67, 69-73, 81, 88. Cone clutch assembly Illus. no. 2-4, 6-26, 30, 31 34-36, 39. Kohler K91T to Kohler K141T Illus. no. 13, 14, 27-29, 60, 74-80, 90-99a			
	68920				

Howard 300/350 Parts List

Back Plate and Chain Case
Wheel and Rotor Drive

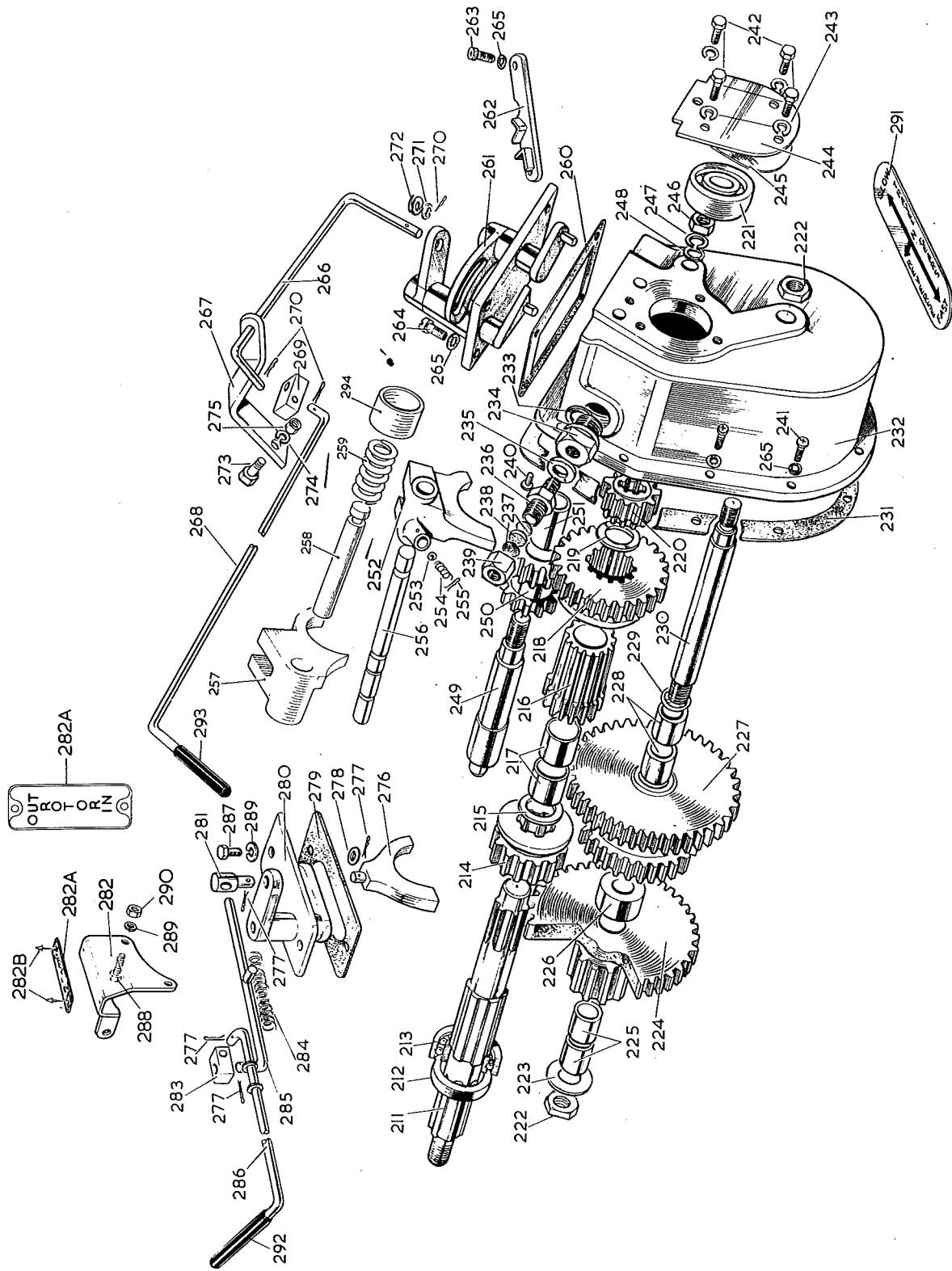
701	C	6.79	6
-----	---	------	---



Illus. Part Number	Description	No. off	Bulletin	Bin No.
64327	BACKPLATE AND CHAINCASE			
100	Backplate assembly	1		
101	comprising:—			
102	Backplate...	1		
103	Depth skid bracket	1		
104	Rotor bearing housing	2		
105	Axle bearing housing	1		
106	Whiz-tite flange screws 1/2" UNC x 3/4" long	12		
107	Gasket — rotor bearing housing	1		
108	Mounting plate	1		
109	Mounting plate	1		
110	Chainbox assembly	1		
111	comprising:—			
112	Rotor bearing housing	1		
113	Axle bearing housing	2		
114	Mounting plate	1		
115	Mounting plate	1		
116	Setscrew 1/2" UNC x 3/4" long hex. head	12		
117	Gasket — axle bearing housing	4		
118	Mounting plate	1		
119	Chainbox	1		
120	Depth skid bracket	2		
121	Chaincase gasket	2		
122	Weed cutter	2		
123	Keeper plate	2		
124	Shakeproof washer 1/2" dia. internal	4		
125	Setscrew 1/2" UNF x 5/8" long hex. head	4		
126	Retaining pin sub-assembly	1		
127	comprising:—			
128	Retaining pin	1		
129	Spring	1		
130	Splitpin 3/2" dia. x 3/4" long	1		
131	Adjusting bolt	1		
132	Nut 3/8" UNC cad. plated	1		
133	Bolt 1/2" UNF x 3 1/2" long	1		
134	Spacer	1		
135	Spring washer 1/2" dia.	1		
136	Nut 1/2" UNF	1		
137	Adjuster screw	1		
138	Locknut 1/2" UNC	1		
139	Chain tensioner	1		
140	Sleeve	1		
141	Bolt 3/8" UNF x 1 3/4" long	1		
142	Philidas Nut 5/16" UNF GUF/1	1		
143	Bolt 1/2" UNC x 2" long	1		
144	Skid bracket spacer	1		
145	Spring washer 1/4" dia.	1		
146	Nut 1/4" UNC	1		
147	Chaincase skid	1		
148	Setscrew 1/4" UNC x 7/8" long hex. head	5		
149	Setscrew 1/4" UNC x 3/4" long hex. head	22		
150	Setscrew 1/4" UNC x 1/2" long hex. head	2		
151	Fibre washer	1		
152	Spring washer 1/4" dia.	1		
153	Nut 1/4" UNC	28		
154	Plug 3/8" BSP square head	27		
155	Pop rivet 3/2" dia. x 0.2 long	1		
156	Machine number plate	2		
157	Machine number plate	1		
158	Oilseal —			
159	1 1/2" o.d. x 1" i.d. x 3/8" w. Pioneer 11P. 150.100.37	2		
160	Bearing —			
161	Glacier No. 3210 — 1" i.d. x 1 1/8" o.d. x 1 1/4" long	4		
162	Key	2		
163	Bull gear and wheel axle	1		
164	Wearing washer	2		
165	Oilseal — superseal 900659C—1021—011—			
166	1 3/8" i.d. x 1 1/2" o.d. x 3/16" w.	4		
167	Inner race INA. IR 25mm x 30mm x 38.5mm	2		
168	Needle bearing INA. HK.3026	2		
169	Thrust washer	2		
170	Chain assembly	2		
171	Rotor drive shaft and sprocket	1		
172	Nut 1/2" UNC	1		
173	Spring washer 1/2" dia.	1		
174	Spacer	1		
175	Thrust washer	1		
176	Thrust washer	2		
177	Gasket	1		
178	Rotor drive sprocket assembly	1		
179	comprising:—			
180	Rotor drive sprocket	1		
181	Bearing —			
182	Glacier No. 3204 1" i.d. x 1 1/8" o.d. x 1 1/2" long	2		
183	Drive sprocket spindle	1		
184	O' ring 7/16" i.d. x 5/8" o.d. — Pioneer 3-113	1		
185	Washer	1		
186	Shakeproof washer 5/16" dia. internal	1		
187	Setscrew 3/16" UNC x 1/2" long hex. head	1		
188	Idler pinion shaft	1		
189	Gear spacer	1		
190	Rotor idler gear assembly	1		
191	comprising:—			
192	Rotor idler gear	1		
193	Bearing —			
194	Glacier No. 2408. 3/4" i.d. x 7/8" o.d. x 1" long	1		
195	Thrust washer 7/16" dia.	1		
196	Spring washer 7/16" dia.	1		
197	Nut 7/16" UNC	1		
198	Driven pulley	1		
199	Pulley nut	1		
200	Lower belt guard (Scandinavia only)	1		
201	Lower belt guard (Scandinavia only)	1		
202	Lower belt guard (Scandinavia only)	1		
203	Lower belt guard (Scandinavia only)	1		
204	Lower belt guard (Scandinavia only)	1		
205	Lower belt guard (Scandinavia only)	1		
206	Lower belt guard (Scandinavia only)	1		
207	Lower belt guard (Scandinavia only)	1		
208	Lower belt guard (Scandinavia only)	1		
209	Lower belt guard (Scandinavia only)	1		
210	Lower belt guard (Scandinavia only)	1		
211	Lower belt guard (Scandinavia only)	1		
212	Lower belt guard (Scandinavia only)	1		
213	Lower belt guard (Scandinavia only)	1		
214	Lower belt guard (Scandinavia only)	1		
215	Lower belt guard (Scandinavia only)	1		
216	Lower belt guard (Scandinavia only)	1		
217	Lower belt guard (Scandinavia only)	1		
218	Lower belt guard (Scandinavia only)	1		
219	Lower belt guard (Scandinavia only)	1		
220	Lower belt guard (Scandinavia only)	1		
221	Lower belt guard (Scandinavia only)	1		
222	Lower belt guard (Scandinavia only)	1		
223	Lower belt guard (Scandinavia only)	1		
224	Lower belt guard (Scandinavia only)	1		
225	Lower belt guard (Scandinavia only)	1		
226	Lower belt guard (Scandinavia only)	1		
227	Lower belt guard (Scandinavia only)	1		
228	Lower belt guard (Scandinavia only)	1		
229	Lower belt guard (Scandinavia only)	1		
230	Lower belt guard (Scandinavia only)	1		
231	Lower belt guard (Scandinavia only)	1		
232	Lower belt guard (Scandinavia only)	1		
233	Lower belt guard (Scandinavia only)	1		
234	Lower belt guard (Scandinavia only)	1		
235	Lower belt guard (Scandinavia only)	1		
236	Lower belt guard (Scandinavia only)	1		
237	Lower belt guard (Scandinavia only)	1		
238	Lower belt guard (Scandinavia only)	1		
239	Lower belt guard (Scandinavia only)	1		
240	Lower belt guard (Scandinavia only)	1		

Howard 300/350 Parts List

Gearbox Assembly

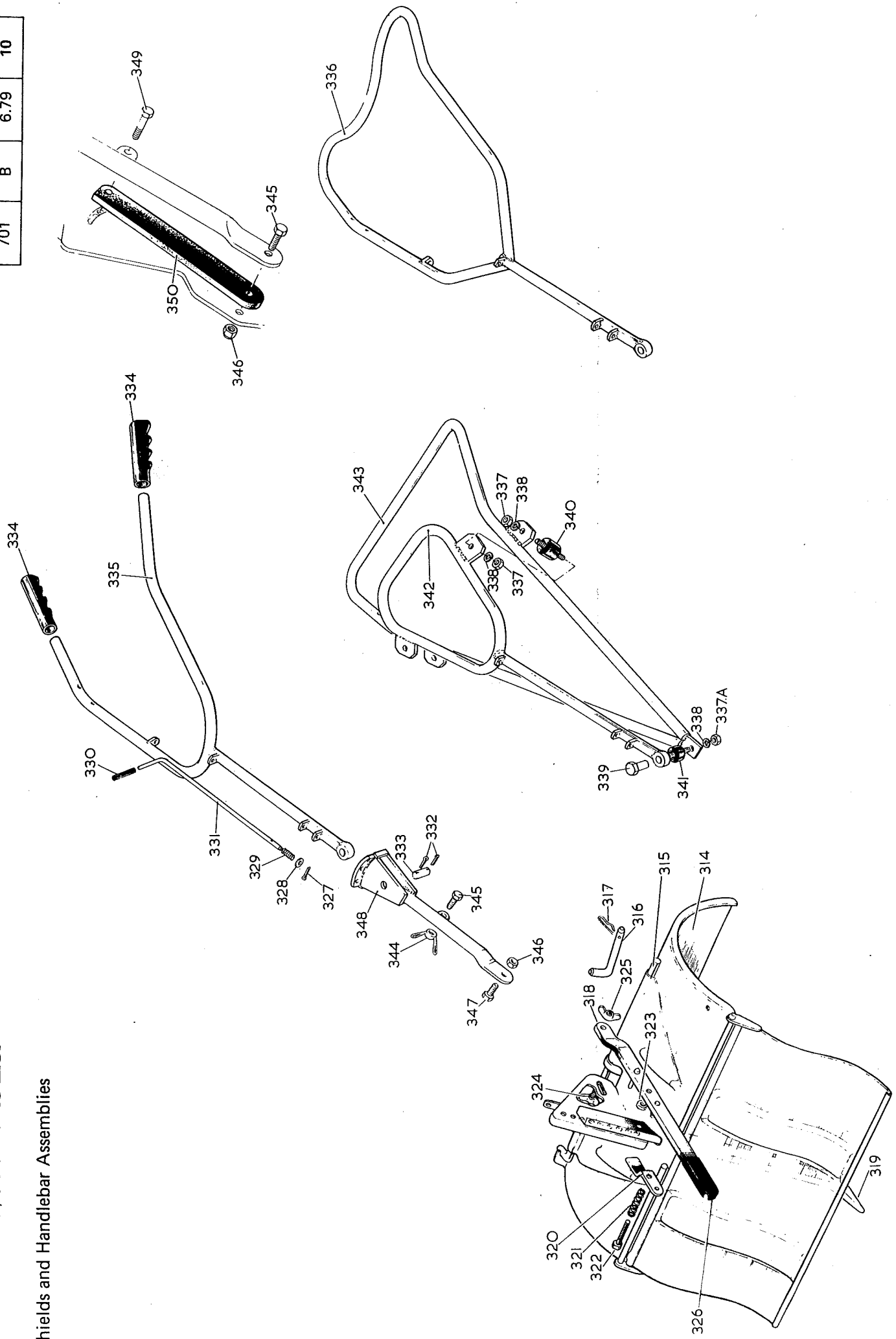


Illus. No.	Part Number	Description	No. off	Bulletin	Bin No.
GEARBOX ASSEMBLY					
211	64315	Drive shaft	1		
212	261511021	Oilseal — Pioneer 1P.150.112.25	1		
213	250720071	Ballbearing $\frac{3}{8}$ " i.d. x 2" o.d. x $\frac{11}{16}$ " w. Hoff MS 8	1		
214	64316	Rotor selector gear	1		
215	64320	Gear spacer	1		
216	64318	Intermediate drive gear assembly	1		
217	250709073	comprising:— Drive gear	1		
218	64319	Bearing — Glacier No. 2406 $\frac{3}{4}$ " i.d. x $\frac{7}{8}$ " o.d. x $\frac{3}{4}$ " long	2		
219	64317	Drive shaft gear 27T	1		
220	64321	Thrust washer	1		
221	250616041	Drive shaft gear 13T	1		
222	107206020	Ballbearing $\frac{3}{8}$ " i.d. x $1\frac{9}{16}$ " o.d. x $\frac{7}{16}$ " w. Hoff. LS.7	1		
223	67264	Locknut $\frac{3}{8}$ " UNC	2		
224	67260	Thrust washer	1		
225	250607063	Final drive pinion assembly	1		
226	67261	comprising:— Final drive pinion	1		
227	67258	Bearing — Glacier No. 2005 — $\frac{5}{8}$ " i.d. x $\frac{3}{32}$ " o.d. x $\frac{5}{8}$ " long	2		
228	250607063	Gear spacer	1		
229	67495	Cluster gear assembly	1		
230	67263	comprising:— Cluster gear	1		
231	64395	Cluster gear	1		
232	64308	Bearing — Glacier No. 2005 — $\frac{5}{8}$ " i.d. x $\frac{23}{32}$ " o.d. x $\frac{5}{8}$ " long	2		
233	202029040	Shim .015	as req'd		
234	66274	Shim .010	as req'd		
235	10580	Intermediate shaft	1		
236	64395	Gearbox gasket	1		
237	64308	Gearbox	1		
238	202029040	Washer — Benton & Stone No. 1386D	1		
239	66274	Plug	1		
240	143405030	Breather assembly	1		
241	116404040	comprising:— Washer	1		
242	101404040	Brass Union	1		
243	108040840	Gauze filter	2		
244	64352	Breather pad	1		
245	64459	Nut	1		
246	107206010	Setscrew $\frac{5}{16}$ " UNC x $\frac{3}{8}$ " long, shallow countersunk head	3		
247	108061140	Setscrew $\frac{1}{4}$ " UNC x $\frac{1}{2}$ " long, round head, Phillips recess	6		
248	108061210	Setscrew $\frac{1}{4}$ " UNC x $\frac{1}{2}$ " long, hex head	4		
249	64334	Spring washer $\frac{1}{4}$ " dia.	1		
250	64363	Bearing and slide bar cover	1		
251	250607103	Gasket	1		
252	64322	Label — gear selection	1		
253	250001801	Sleeve — Rotor control rod	1		
254	64471	Sleeve — upper control rod	1		
255	208010040	Over-run stop sleeve	1		
256	64325	Travel selector	1		
257	64323	Ball $\frac{3}{16}$ " dia.	1		
258	64472	Spring	1		
259	64324	Splitpin $\frac{1}{16}$ " dia. x $\frac{1}{2}$ " long	1		
260	58231	Reverse selector slide bar	1		
261	64379	Reverse selector spring	1		
262	65356	Cover gasket .030"	1		
263	106404060	Cover gasket .010"	as req'd		
264	103404050	Gearbox cover and selectors	1		
265	108040830	Selector gate	1		
266	65507	Capscrew $\frac{1}{4}$ " UNC x $\frac{3}{4}$ " long	2		
267	65439	Cheese head setscrew $\frac{1}{4}$ " UNC x $\frac{5}{8}$ " long	2		
268	69183	Shakeproof washer $\frac{1}{4}$ " dia. Internal	6		
269	65506	Lower control rod	1		
270	208010050	Upper control rod	1		
271	108051010	Gear control trunnion	1		
272	108050950	Splitpin $\frac{1}{16}$ " dia. x $\frac{5}{8}$ " long	3		
273	101304080	Flat washer $\frac{5}{16}$ " dia.	1		
274	108040840	Spring washer $\frac{5}{16}$ " dia. double coil	1		
275	107104010	Bolt $\frac{1}{4}$ " UNF x 1" long	1		
276	64390	Spring washer $\frac{1}{4}$ " dia.	1		
277	208010040	Nut $\frac{1}{4}$ " UNF	1		
278	108040910	Rotor selector control assembly comprising:— Rotor selector	1		
279	65499	Splitpin $\frac{1}{16}$ " dia. x $\frac{1}{2}$ " long	1		
280	68793	Flat washer $\frac{1}{4}$ " dia.	4		
281	68910	Gasket	1		
282	58236	Rotor selector	1		
283	20545	Trunnion	1		
284	68909	Selector gate assembly comprising:— Selector gate	1		
285	68795	Indicator plate	1		
286	58217	Rivet $\frac{3}{8}$ " dia. x .23 long TAP/D423/BS	1		
287	101404040	Trunnion block	1		
288	101404060	Rotor selector spring	1		
289	108040840	Rotor selector rod	1		
290	107204010	Rotor control rod	1		
291	64326	Setscrew $\frac{1}{4}$ " UNC x $\frac{1}{2}$ " long, hex head	2		
292	207001290	Setscrew $\frac{1}{4}$ " UNC x $\frac{3}{4}$ " long, hex head	2		
293	207001300	Spring washer $\frac{1}{4}$ " dia.	4		
294	58237	Nut $\frac{1}{4}$ " UNC	2		
295	- 313 not allocated	Label — gear selection	1		
		Sleeve — Rotor control rod	1		
		Sleeve — upper control rod	1		
		Over-run stop sleeve	1		

Howard 300/350 Parts List

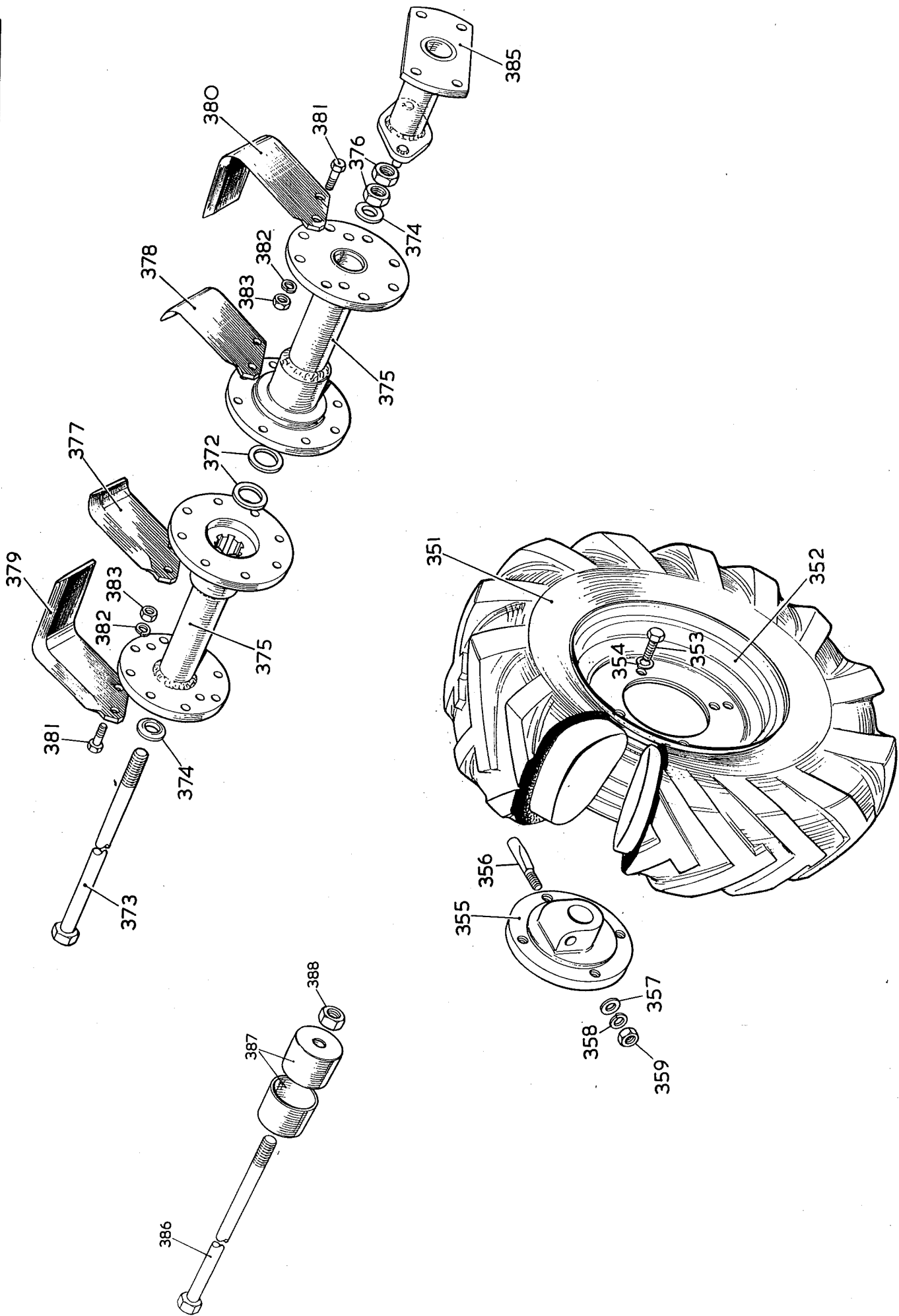
Shields and Handlebar Assemblies

701	B	6.79	10
-----	---	------	----



Illus. No.	Part Number	Description	No. off	Bulletin	Bin No.
SHIELDS					
314	64431	Rotor shield — 16" model	1		
314	64455	Rotor shield — 23" model	1		
315	64439	Shield securing pin	1		
316	67284	Shield securing pin	1		
317	67285	Clip pin	1		
318	64440	Depth control handle	1		
319	64446	Depth skid	1		
320	64445	Spring clip	1		
321	20470	Spring	1		
322	101204120	Bolt 1/2" UNC x 1 1/2" long	1		
323	107204010	Nut 1/4" UNC	1		
324	64443	Depth control handle pivot bolt	1		
325	107205060	Wing nut 5/16" UNC	1		
326	207001280	Sleeve — depth control handle	1		
HANDLEBARS					
327	208010130	Splitpin 3/8" dia. x 3/4" long	1		
328	108061210	Flat washer 3/8" dia.	1		
329	58234	Spring	1		
330	207001310	Sleeve	1		
331	65430	Release handle	1		
332	208010200	Splitpin 1/8" dia. x 1" long	2		
333	65433	Pin	1		
334	207001350	Grip	2		
335	65431	Handle bar stem	1		
336	58245	Handle bar — Scandinavia	1		
336	58310	Anti-Vibration handle assembly	1		
comprising:-					
337	307408015	Nut M8	4		
337a	107105010	Nut 3/8" UNF	1		
338	308080135	Shakeproof washer M8	5		
339	58318	Pin	1		
340	203033330	Anti-Vibration mount	2		
341	203033360	Anti-Vibration mount	1		
342	58312	Handle assembly	1		
343	58311	Handle bar assembly	1		
344	207001150	Wing nut 3/8" UNF	1		
345	101306100	Bolt 3/8" UNF x 1 1/4" long	1		
346	107106030	Self locking nut 3/8" UNF	1		
347	101306080	Bolt 3/8" UNF x 1" long	1		
348	65432	Handle bar mounting	1		
349	101106120	Bolt 3/8" UNF x 1 1/2" long	1		
350	58238	Pad	1		

Illus. No.	Part Number	Description	No. off	Bulletin	Bin No.
MACHINE TRANSFERS					
N.I.	27409	Beware rotating blades - English	1		
N.I.	27410	Beware rotating blades - Finnish	1		
N.I.	27411	Beware rotating blades - Swedish	1		
N.I.	58194	Royal Warrant and Queen's Award	1		
N.I.	58249	Howard	1		
N.I.	58279	'350'	1		
291	64326	Gear selection label	1		
N.I.	66414	Maintenance label	1		
N.I.	68610	Engine label	1		
O To be fitted to top of stop switch part number 207005100 illus. No. 46					



Illus. Part Number	Description	No. off	Bin No.	Illus. Part Number	Description	No. off	Bin No.
209028230	Wheel assembly L.H.	1					
209055510	Wheel assembly R.H.	1					
351	Tyre 400 x 8 2 ply rating	2					
209001370	Tube 400 x 8	2					
64467	Wheel	2					
353	Setscrew $\frac{1}{8}$ " UNC x $\frac{3}{4}$ " long	8					
101406065	Spring washer $\frac{3}{8}$ " dia.	8					
354	Wheel hub	2					
108061145	Cotter pin	2					
64465	Flat washer $\frac{3}{8}$ " dia.	2					
64466	Spring washer $\frac{3}{8}$ " dia.	2					
108061210	Nut $\frac{3}{8}$ " UNF	2					
358		2					
108061145		2					
359		2					
107106015		2					
360	371 not allocated						
ROTOR							
372	Rotor spacer	16"	23"				
64429	Rotor draw bolt	as req'd					
373	Rotor draw bolt	1					
64450	Draw bolt washer	2					
64430	Rotor	2					
375	Locknut $\frac{5}{8}$ " UNC	2					
64420	Centre blade L.H.	2					
107210020	Centre blade R.H.	2					
377	Blade L.H.	4					
64486	Blade R.H.	4					
378	Blade bolt assembly pack	as req'd					
64485	(contains 10 each items 181, 182, 183)						
9896	Special bolt	24					
380	Spring washer $\frac{5}{16}$ " dia.	24					
9897	Nut $\frac{5}{16}$ " UNF	24					
14144	Rotor extension						
381	Rotor extension kit 16" - 23"	2					
9846	comprising:-						
108050940	Shield 23"	1					
107105010	Rotor draw bolt - 23" model	1					
not allocated	Blade L.H.	2					
64451	Blade R.H.	2					
5991/	Blade bolt assembly pack	as req'd					
64455	(contains 10 each items 181, 182, 183)						
64450	Special bolt	8					
9896	Spring washer $\frac{1}{16}$ " dia.	8					
9897	Nut $\frac{5}{16}$ " UNF	8					
14144	Rotor extension - 23" model	2					
9846	Draw bolt	1					
108050940	Dust cap	1					
107105010	Nut $\frac{5}{16}$ " UNF	2					
64451	Required when rotors are removed						
65476							
65475							
107105010							
388	399 - 400 not allocated						

No. off

Bulletin

Bin No

Description

Illus. Part Number

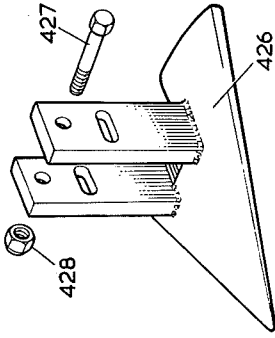
Bulletin

Bin No.

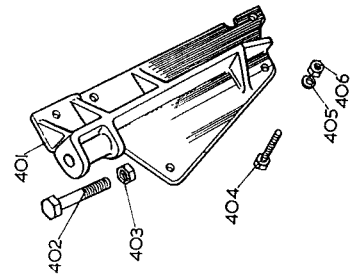
No. off

Description

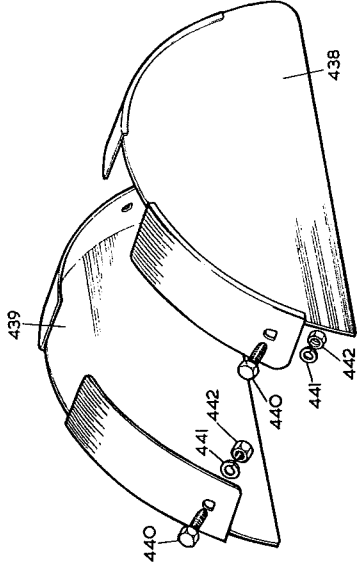
Illus. Part Number



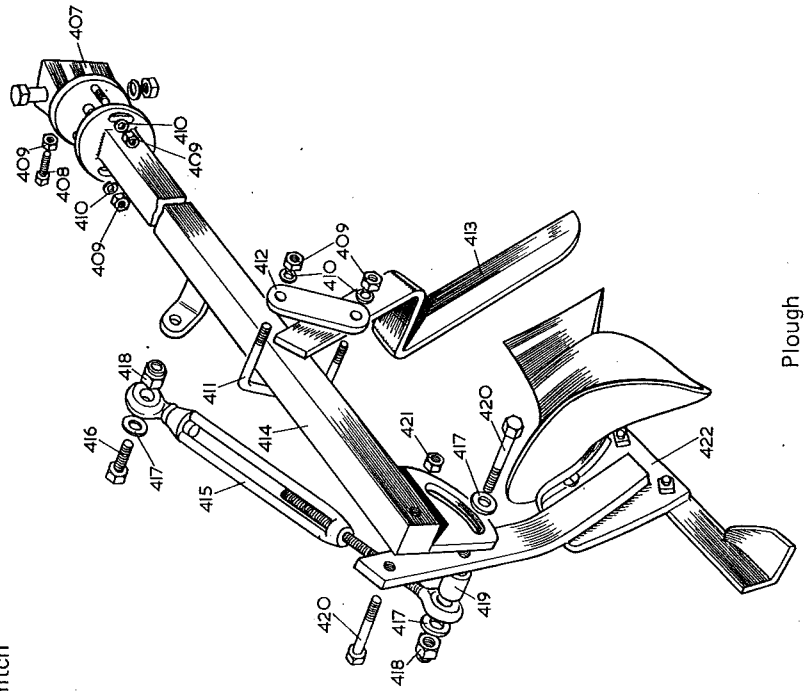
Skid Tine



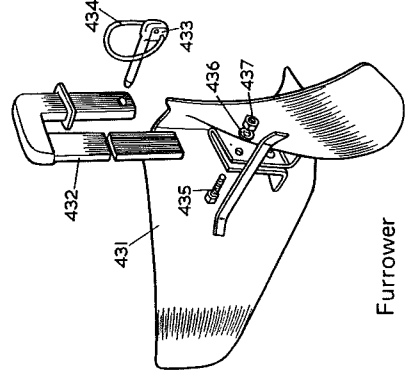
Trailer and Plough Hitch



Side Shields



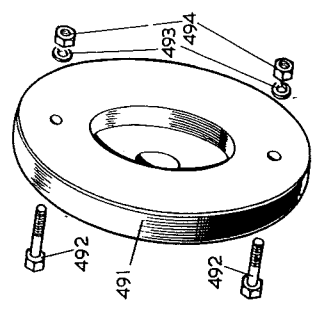
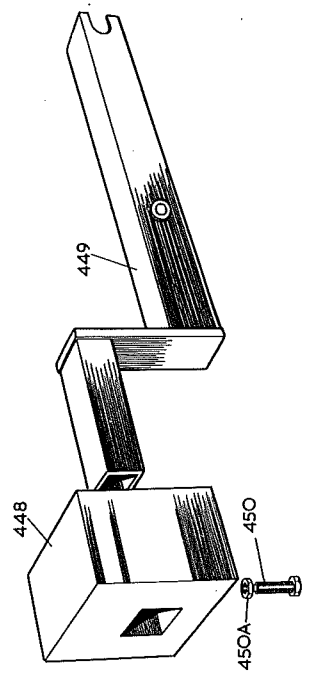
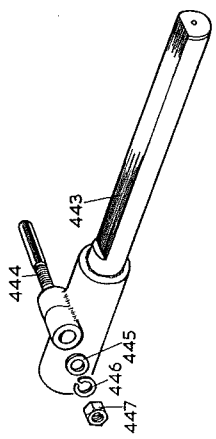
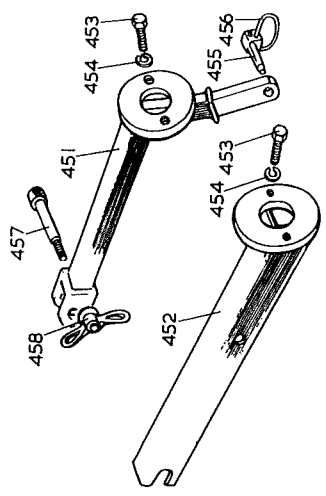
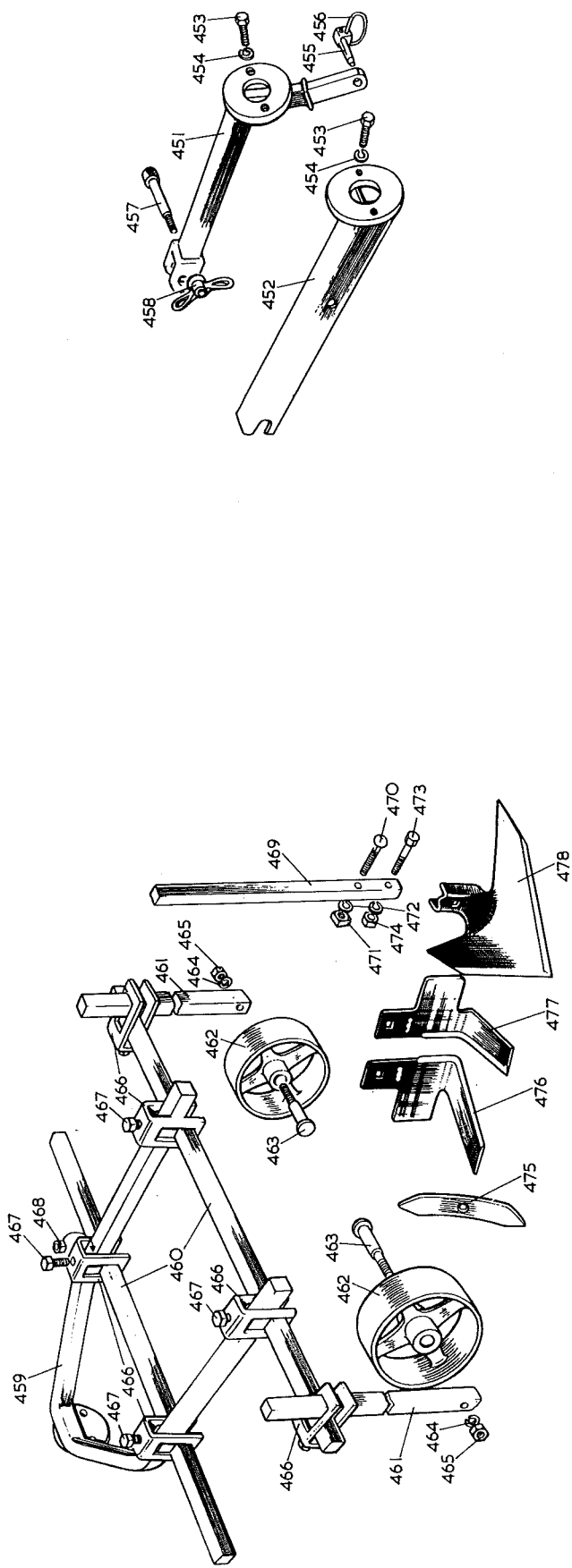
Plough



Furrower

Illus. No.	Part Number	Description	No. off	Bulletin	Bin No.
TRAILER AND PLOUGH HITCH BRACKET ASSEMBLY					
comprising:—					
401	65517	Hitch bracket	1		
402	101110320	Bolt $\frac{5}{16}$ " UNF x 4" long	1		
403	107110010	Nut $\frac{5}{8}$ " UNF	1		
404	101404070	Setscrew $\frac{1}{4}$ " UNC x $\frac{7}{8}$ " long hex. head	5		
405	108040840	Spring washer $\frac{1}{4}$ " dia	5		
406	107204010	Nut $\frac{1}{4}$ " UNC	5		
Note: use 1 off $\frac{1}{4}$ " UNC x $\frac{5}{8}$ " long setscrew, nut and spring washer, from those removed from chaincase.					
PLOUGH ASSEMBLY					
comprising:—					
407	66332	PloUGH pivot bracket,	1		
408	101406120	Setscrew $\frac{3}{8}$ " UNC x $1\frac{1}{2}$ " long hex. head	1		
409	107206010	Nut $\frac{3}{8}$ " UNC	5		
410	108061140	Spring washer $\frac{3}{8}$ " dia.	4		
411	66342	'U' bolt	1		
412	66343	Clamp plate	1		
413	66341	Coulter	1		
414	66327	PloUGH beam	1		
415	208007230	Straining screw	1		
416	101208140	$\frac{3}{8}$ " screw Harris Lifting Tackle No. 65	1		
417	108081E10	Bolt $\frac{1}{2}$ " UNC x $1\frac{1}{4}$ " long	1		
418	107208030	Flat washer $\frac{1}{2}$ " dia.	3		
419	10317	Nut $\frac{1}{2}$ " UNC Philidas NUCI	2		
420	101408220	Boss	1		
421	107208020	Setscrew $\frac{1}{2}$ " UNC x $2\frac{3}{4}$ " long hex. head	2		
422	66339	Locknut $\frac{1}{2}$ " UNC	1		
423—	425 not allocated	PloUGH	1		
SKID TINE ASSEMBLY					
comprising:—					
426	68488	Skid tine	1		
427	101205120	Bolt $\frac{5}{16}$ " UNC x $1\frac{1}{2}$ " long	2		
428	107205130	Nut $\frac{5}{16}$ " UNC Philidas Self-locking GUCP/1	2		
429—	430 not allocated				
FURROWER ASSEMBLY					
comprising:—					
431	14136	Furrower	1		
432	65478	Furrower bracket	1		
433	7059	Clip pin	1		
434	7060	Clip ring	1		
435	101405080	Setscrew $\frac{3}{16}$ " UNC x 1" long	1		
436	108050940	Spring washer $\frac{5}{16}$ " dia.	1		
437	107205010	Nut $\frac{3}{16}$ " UNC	1		
SIDE SHIELDS					
438	65170	Side shield L.H.	1		
439	65171	Side shield R.H.	1		
440	101405050	Setscrew $\frac{5}{16}$ " UNC x $\frac{5}{8}$ " long	4		
441	108050940	Spring washer $\frac{5}{16}$ " dia.	4		
442	107205010	Nut $\frac{5}{16}$ " UNC	4		

Howard 300/350 Parts List

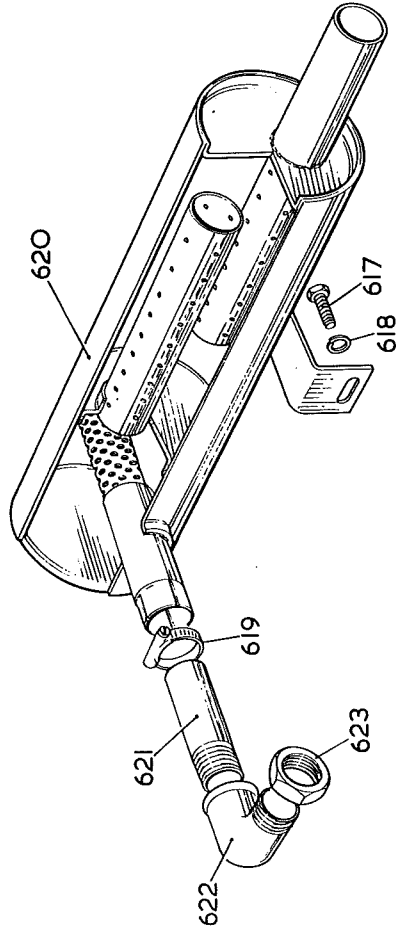
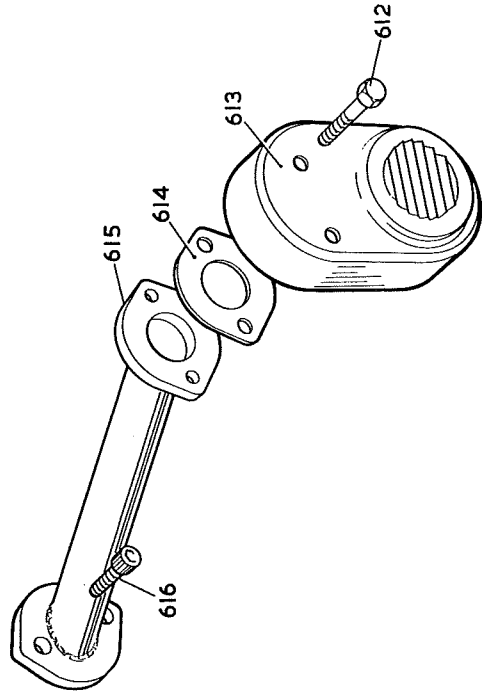
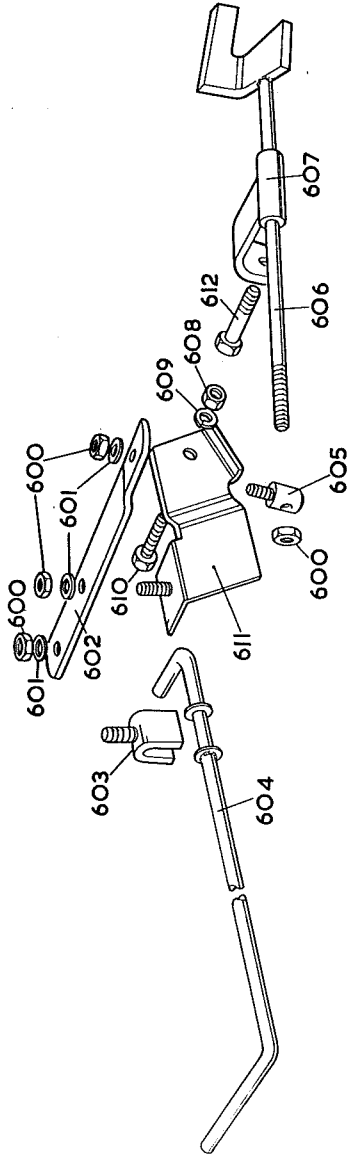


Illus. No.	Part Number	Description	No. off	Bulletin	Bin No.
	64484	EXTENSION AXLE ASSEMBLY			
443	64481	Extension axle	2		
444	64466	Cotter pin	2		
445	108061210	Flat washer $\frac{3}{8}$ " dia.	2		
446	108061140	Spring washer $\frac{3}{8}$ " dia.	2		
447	107106010	Nut $\frac{3}{8}$ " UNF	2		
	66162	FRONT WEIGHT ASSEMBLY			
448	66185	Weight	1		
449	66186	Weight beam	1		
450	101406140	Setscrew $\frac{3}{8}$ " UNC x $1\frac{1}{2}$ " long hex. head	1		
450a	107206020	Hex. Locknut $\frac{3}{8}$ " UNC	1		
	64935	TOOLBAR UNIT			
451	67589	Rear toolbar adaptor	1		
452*	64942	Front toolbar adaptor	1		
453	101406100	Setscrew $\frac{3}{8}$ " UNC x $1\frac{1}{2}$ " long	2		
454	108061140	Spring washer $\frac{3}{8}$ " dia.	2		
455	7059	Clip pin	1		
456	7060	Clip ring	1		
457	67592	Securing pin	1		
458	207001150	Wing Nut	1		
	69189	$\frac{3}{8}$ " UNF — Utility Cycle Product Model No. 2	1		
	69190	Tool frame and tools assembly	1		
	69195	comprising:—			
459	69195	Tool Frame Assembly	1		
460	69194	Arms and flange	1		
461	69191	Crossbar	2		
462	69193	Wheel stalk	2		
463	69192	Wheel	2		
464	108061140	Wheel spindle	2		
465	107506010	Spring washer $\frac{3}{8}$ " dia.	2		
	17314	Nut $\frac{3}{8}$ " BSF	2		
	17314	Clamp Assembly	11		
	17312	comprising:—			
466	17312	Clamp	11		
467	101308090	Setscrew $\frac{1}{2}$ " UNF x $1\frac{1}{8}$ " long hex. head	11		
468	107108010	Nut $\frac{1}{2}$ " UNF	11		
	69198	Hoe and Stalk Assembly	1		
	69199	comprising:—			
475	69199	Point — 1" Close Youle P/2507/1" D1	4		
	69200	Pistol Hoe and Stalk Assembly R.H.	2		
	69209	comprising:—			
469	69209	Stalk	2		
470	105205110	Coach bolt $\frac{5}{16}$ " UNC x $1\frac{3}{8}$ " long Cup square	2		
471	107205010	Nut $\frac{5}{16}$ " UNC	4		
472	108050940	Spring washer $\frac{5}{16}$ " dia.	4		
473	101205110	Bolt $\frac{5}{16}$ " UNC x $1\frac{3}{8}$ " long	2		
476	69187	Pistol hoe R.H. — Close Youle — SH/2702/4½/D1	2		
	69201	Pistol Hoe and Stalk Assembly L.H.	2		
	69209	comprising:—			
469	69209	Stalk	2		
470	105205110	Coach bolt $\frac{5}{16}$ " UNC x $1\frac{3}{8}$ " long Cup square	2		
471	107205010	Square nut $\frac{5}{16}$ " UNC	4		
472	108050940	Spring washer $\frac{5}{16}$ " dia.	4		
473	101205110	Bolt $\frac{5}{16}$ " UNC x $1\frac{3}{8}$ " long	2		
477	69188	Pistol hoe L.H. — Close Youle — SH/2702/4½/D1	2		
	69202	Ducksfoot Hoe and Stalk Assembly	1		
	69185	comprising:—			
469	69185	Stalk	1		
470	105206110	Coach bolt $\frac{3}{8}$ " UNC x $1\frac{3}{8}$ " long Cup square	1		
471	107206010	Nut $\frac{3}{8}$ " UNC	1		
472	108061140	Spring washer $\frac{3}{8}$ " dia.	1		
478	68765	Ducksfoot hoe — Close Youle CY/135/6"	1		
479	— 490 not allocated				
	64957	WHEEL WEIGHT ASSEMBLY			
491	64958	Wheel weight	2		
492	101106240	Bolt $\frac{3}{8}$ " UNF x $3\frac{1}{2}$ " long	4		
493	108061140	Spring washer $\frac{3}{8}$ " dia.	4		
494	107106010	Nut $\frac{3}{8}$ " UNF	4		

*The front toolbar adaptor is required to operate Tarpen hedge-trimmers and allied cable-driven equipment

Howard 300/350 Parts List

Reverse lock assembly
Exhaust mufflers



Illus. No.	Part Number	Description	No. off	Bulletin	Bin No.	Illus. No.	Part Number	Description	No. off	Bulletin	Bin No.
REVERSE LOCK ASSEMBLY											
58208		Reverse lock assembly	1								
		comprising:—									
600	107204030	Locknut 1/4" UNC	4								
601	108040510	Flat washer 1/4" dia.	3								
602	58215	Lever	1								
603	58218	Clevis	1								
604	58217	Rotor control rod	1								
605	58216	Trunnion	1								
606	58229	Wedge	1								
607	58210	Tube	1								
608	107204010	Nut 1/4" UNC	1								
609	108040840	Spring washer 1/4" dia.	1								
610	101404070	Screw 1/4" UNC x 7/8" long	1								
611	58230	Support bracket	1								
EXHAUST MUFFLERS											
58223		Exhaust extension assembly superseded by 58240									
		comprising:—									
612	101205105	Bolt 5/16" UNC x 1 1/4" long	2								
613	203220145	Muffler - Kohler 220145	1								
614	203231090	Gasket	1								
615	58224	Extension tube	1								
616	147405065	Socket head cap screw 5/16" UNC x 3/4" long	2								
		Muffler assembly	1								
		comprising:—									
617	101406060	Setscrew 3/8" UNC x 3/4" long	1								
618	108061140	Spring washer 3/8" dia.	1								
619	208003090	Hose clip 2A	1								
620	203027050	Muffler } Alternatives	1								
	58241	Muffler	1								
621	58243	Stube pipe	1								
622	202034320	Elbow 90° male/female 1" ASPT	1								
623	202041230	Back nut 1" ASPT	1								

No. off

Howard 300/350 Numerical Parts List

701 B 6.79 20

Part No.	Illus. or Item No.	Bin No.	Part No.	Illus. or Item No.	Bin No.	Part No.	Illus. or Item No.	Bin No.	Part No.	Illus. or Item No.	Bin No.	Part No.	Illus. or Item No.	Bin No.
316	29		58310	337		64455	314		66391	3		68714	102	
830	115		58311	343		64459	245		66414	N.I.		68765	478	
7059	433		58312	342		64465	355		66427	2		68792	276	
7059	455		58318	339		64466	356		66440	23		68793	280	
7060	434		59917	96		64466	444		66452	205		68795	285	
7060	456		59917	373		64466	352		66592	100		68798	282	
8312	236		59918	314		64468	118		66593	111		68831	87	
9846	381		60954	1		64469	118		66638	101		68908	15	
9896	379		64308	232		64471	254		66638	112		68909	284	
9897	380		64315	211		64472	259		66920	20		68910	76	
10317	419		64316	214		64481	443		66921	11		68928	416	
10580	235		64317	202		64484	443		66922	15		68929	117	
14136	431		64317	219		64485	378		66923	16		68930	273	
14144	381		64318	216		64486	377		66924	17		68931	306	
14224	165		64319	218		64495	121		66925	31		68932	406	
14509	10		64320	199		64496	114		66926	8		68933	600	
17312	466		64320	215		64497	163		66927	14		68936	26	
20470	466		64321	220		64935	451		67248	200		68938	328	
20545	321		64322	252		64942	452		67249	200		68938	345	
23646	283		64323	257		64957	491		67250	198		68938	467	
25578	237		64324	258		64958	491		67251	191		68938	442	
25914	4		64325	256		65114	491		67252	191		68938	471	
26575	41		64326	291		65131	137		67255	193		68938	287	
27409	N.I.		64327	100		65170	438		67256	189		68938	107	
27410	N.I.		64330	103		65171	439		67257	190		68938	325	
27411	N.I.		64334	249		65430	331		67258	227		68938	428	
30869	119		64338	102		65431	335		67259	227		68938	246	
34233	38		64352	244		65432	348		67260	224		68938	404	
58194	N.I.		64361	216		65433	333		67261	224		68938	610	
58197	146		64362	250		65439	267		67262	226		68938	197	
58208	600		64363	250		65475	387		67263	230		68938	435	
58210	607		64364	172		65476	386		67264	223		68938	70	
58215	602		64367	170		65478	432		67275	129		68938	617	
58216	605		64379	260		65499	269		67280	127		68938	27	
58218	604		64390	276		65506	269		67281	130		68938	353	
58222	207		64391	134		65507	266		69207	106		68938	77	
58223	612		64392	124		65517	401		69209	469		68938	99A	
58224	615		64393	171		65750	262		69338	90		68938	376	
58229	606		64394	231		65946	431		69339	97		68938	450	
58230	260		64417	40		66185	448		69341	92		68938	420	
58234	329		64420	375		66186	449		69341	93		68938	52	
58235	282A		64429	373		66193	235		69370	109		68938	465	
58236	282		64430	374		66195	238		69370	105		68938	36	
58237	294		64431	314		66274	69		69371	105		68938	601	
58238	330		64439	315		66296	401		69399	89		68938	116	
58240	617		64440	318		66326	407		69460	45		68938	263	
58241	620		64443	324		66332	414		69551	74		68938	275	
58243	621		64445	320		66339	422		69553	75		68938	337A	
58245	336		64446	319		66341	413		69553	109		68938	108	
58249	N.I.		64450	373		66342	411		69553	105		68938	135	
58279	N.I.		64451	387		66343	412		69553	105		68938	142	
						66356	261		69553	206		68938	132	
									69553	47		68938	447	
									69553	451		68938	494	
									69553	457		68938	264	
									69553	457		68938	48	
									69553	206		68938	470	
									69553	69		68938	450	
									69553	8		68938	420	
									69553	13		68938	52	
									69553	14		68938	78	
									69553	14		68938	264	
									69553	8		68938	48	
									69553	13		68938	470	
									69553	74		68938	450	
									69553	75		68938	420	
									69553	190A		68938	465	
									69553	131		68938	53	
									69553	329		68938	49	
									69553	84		68938	99	
									69553	N.I.		68938	36	
									69553	84		68938	49	
									69553	349		68938	601	
									69553	N.I.		68938	116	
									69553	426		68938	265	
									69553	426		68938	94	
									69553	426		68938	108	
									69553	426		68938	135	
									69553	426		68938	142	
									69553	426		68938	243	
									69553	426		68938	274	
									69553	426		68938	289	

Howard 300/350 Numerical Parts List

Part No.	Illus. or Item No.	Bin No.	Part No.	Illus. or Item No.	Bin No.	Part No.	Illus. or Item No.	Bin No.
108040840	405		143405030	240		208010040	277	
108040840	609		147405065	616		208010050	270	
108040910	278		202023140	194		208010130	120	
108050940	72		202029040	233		208010130	327	
108050940	82		202034320	622		208010200	332	
108050940	382		202041020	239		208012320	13	
108050940	436		202041230	623		208029030	33	
108050940	441		203001070	N.I.		208032020	145	
108050940	472		203001130	N.I.		208032060	282B	
108050950	272		203015810	50		209001360	351	
108051010	71		203027050	620		209001370	351	
108051010	81		203031160	144		209028230	351	
108051010	86		203033330	340		209055510	351	
108051010	271		203033360	341		250001801	253	
108051030	25		203034040	90		250607063	225	
108051030	196		203101510	N.I.		250607103	251	
108061130	28		203102330	45		250616041	221	
108061140	247		203210149	51		250616045	9	
108061140	410		203220145	613		250709073	217	
108061140	446		203220122	N.I.		250709103	201	
108061140	454		203220133	N.I.		250720071	213	
108061140	464		203220145	N.I.		251011053	192	
108061140	472		203231090	614		251011123	161	
108061140	493		204006170	88		251227075	19	
108061140	618		207001090	42		252530382	168	
108061145	79		207001150	309		253037264	169	
108061145	354		207001150	344		261510041	160	
108061145	358		207001150	458		261511021	212	
108061210	328		207001220	44		261712023	167	
108061210	248		207001310	330		307205225	37	
108061210	312		207001350	334		308080135	338	
108061210	445		207005100	46		343405255	34	
108071240	203		208001160	18				
108081440	125		208002080	21				
108081440	188		208003090	91				
108081610	417		208003090	619				
116404040	241		208003290	43				
117305050	30		208007230	415				
134404060	104		208010040	5				
141410070	34		208010040	39				
142410040	12		208010040	255				

Parts Bulletin Record

This section and the columns headed 'Bulletin' and 'Bin No.' are for the dealers use only.

Bulletin No.	From Machine Serial Number	Remarks



Following Howard policy of continuous improvement, the Company reserves the right to amend model specifications and prices at any time without notice.