



PARTS MANUAL

MODEL K141 6.25HP

Engine Specs 29100 — 29430

HOW TO FIND YOUR PART NUMBER

1 Refer to the Composite Exploded View on page 2 (Grid A2). It contains major engine components boxed and identified by Group Number. Examine these groups for your part. After you locate your part, record the Group Number.

If the part you need is not illustrated, locate a major engine component related to your part and use this component to identify the Group Number.

2 Obtain the Spec Number from the nameplate attached to the engine shrouding. Refer to the Spec Number Index beginning on page 3 (Grid A3). Listed vertically on the left are Spec Numbers. Listed horizontally across

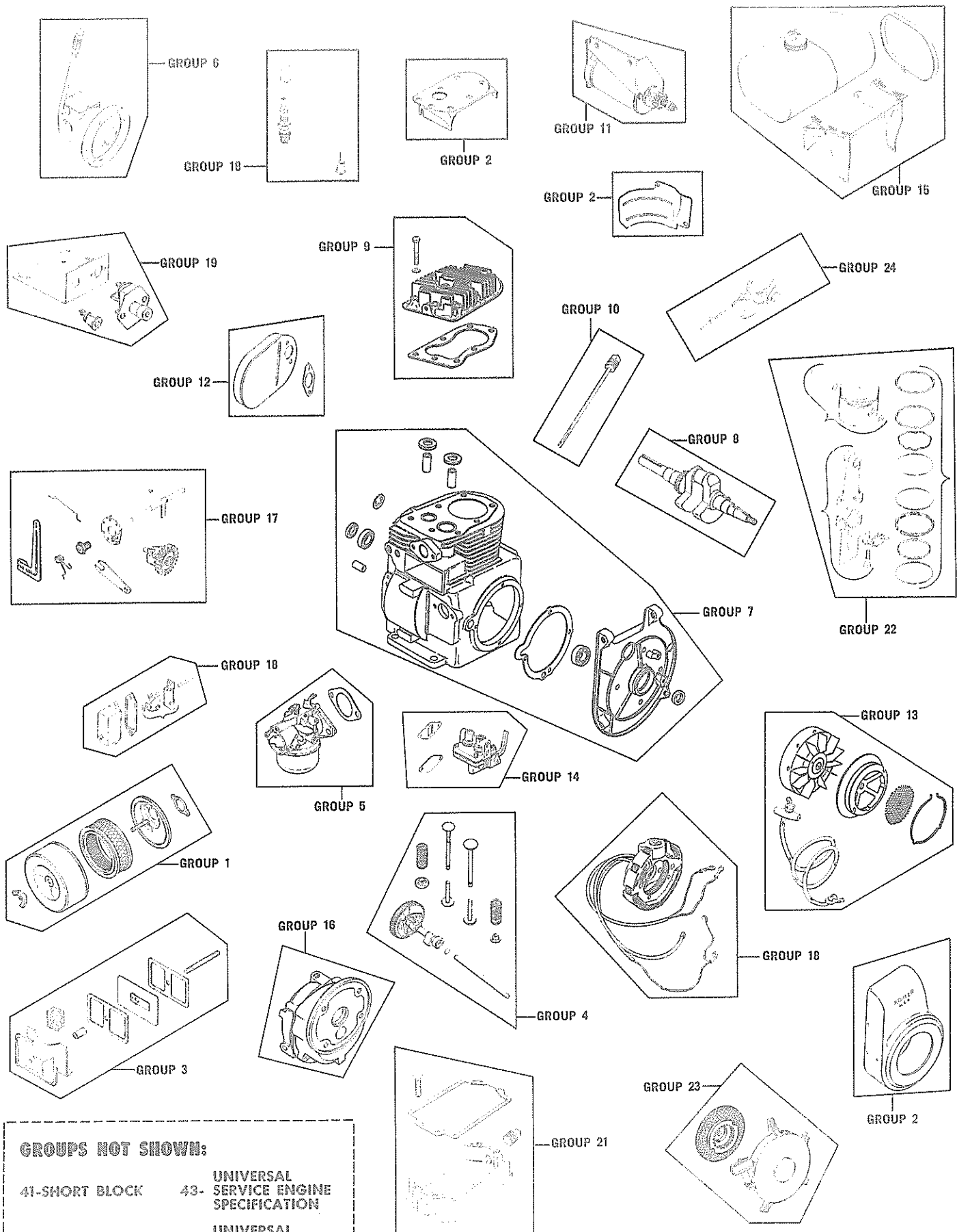
the top are Group Numbers and their titles, Page and Grid Numbers.

Locate your Spec Number. Follow horizontally from your Spec Number to the Group Number column. Where these two columns meet is the Variation Number of your part. Record that Variation Number.

3 Refer to the page (or grid) where your part is listed. Locate the part in the illustration, use its identifying index letter to locate the part name in the listing. Find the Variation Number of your part in those listed below the part name. Your part number is listed to the right of the Variation Numbers.

Illustrations are not intended to show the exact detail for all variations covered.

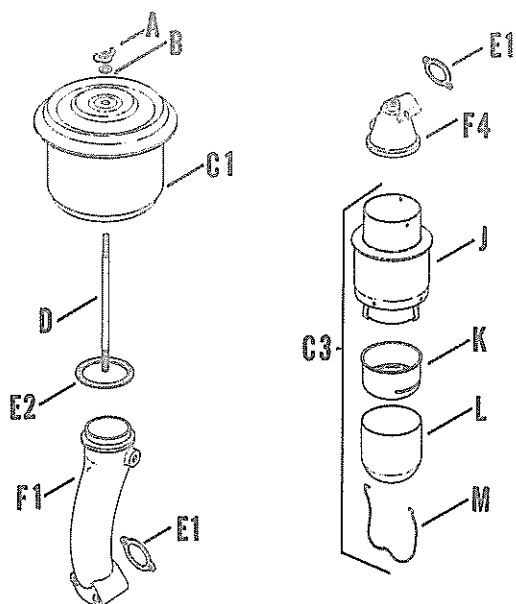
COMPOSITE EXPLODED VIEW



GROUPS NOT SHOWN:

41-SHORT BLOCK	43- UNIVERSAL SERVICE ENGINE SPECIFICATION
42-MINIBLOCK	44- UNIVERSAL SERVICE ENGINE MODIFICATIONS

AIR INTAKE



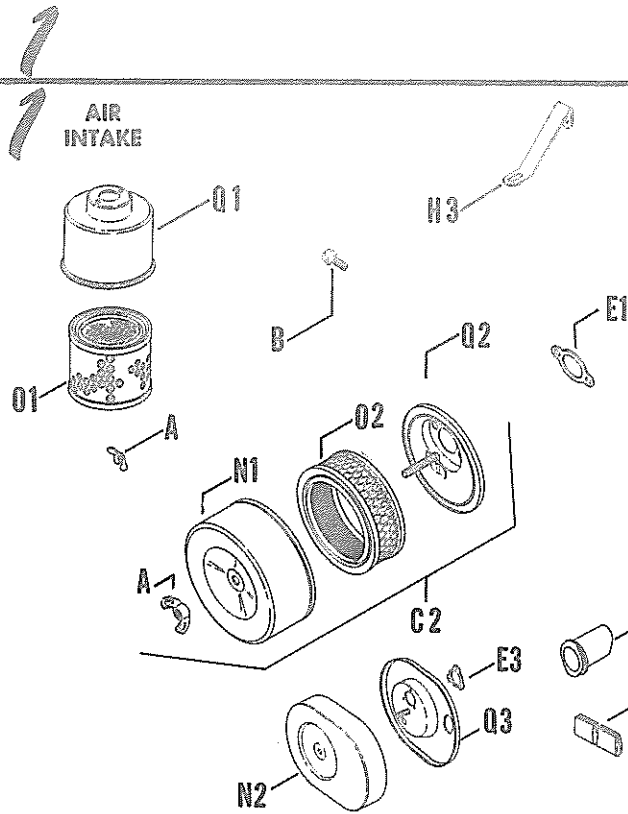
INDEX LTR.	DESCRIPTION VARIATION NUMBER	PART NUMBER	QTY.
E1*	Gasket, intake elbow 1,3,24,35,37,43,48,59,63, 67,68,77,78,100,102,117, 400,401	220537	1
	51,75,96	220537	2
	400,404	220537	3
E2	Gasket, cleaner mounting 1,102	AC-1787	1
E3	Gasket, cleaner 113	41 041 02	1
F1	Elbow, air cleaner 1,77,102	230167	1
F2	Elbow, air cleaner 24	220294	1
F3	Elbow, air cleaner 51	231493	1
F4	Elbow, air cleaner 67,401,402	230537	1
	78	230553	1
	403	230537	2
F5	Elbow, air cleaner 75,96	232505	1
F6	Elbow, air cleaner 401,403	231492	1
G	Tube, air cleaner 113	41 134 01	1
H1	Brace, air cleaner 1,102	230339	1
	77	234719	1
H2	Brace, air cleaner 24	230797	1
H3	Brace, air cleaner 67,78	230539	1
J	Body, upper (Discontinued--Not Available) 67	232564	1
	Body, upper 78	232561	1
K	Baffle, air cleaner 67	232563	1
	78	231415	1
L	Cup, air cleaner 67	232562	1
	78	231414	1
M	Fastener, oil cup 67,78	231416	1
N1	Cover, air cleaner 35,37,43,48,51,96,117,402, 403	230839	1
	68,75	231855	1

INDEX LTR.	DESCRIPTION VARIATION NUMBER	PART NUMBER	QTY.
------------	------------------------------	-------------	------

Use stock of original part number before ordering replacement.

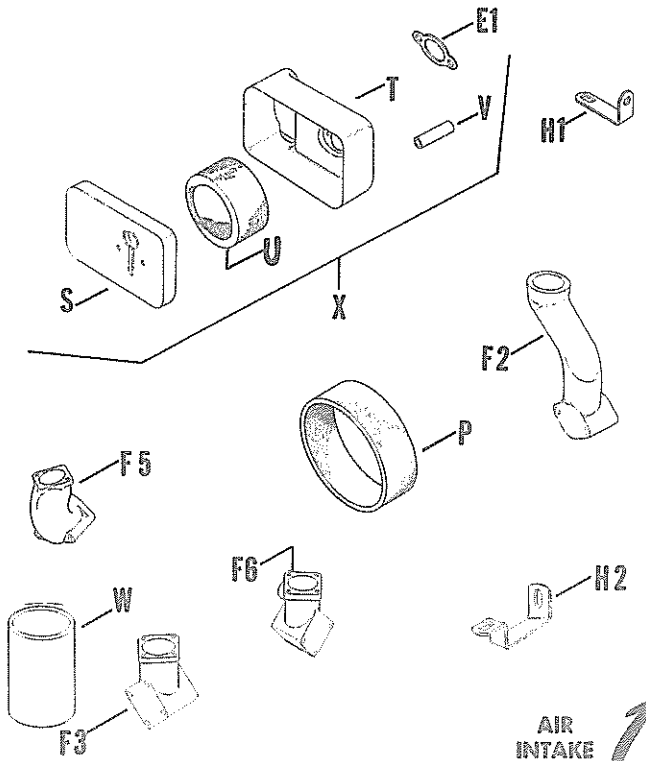
A	Nut, wing 1/4 - 20 1,3,24,35,37,43,48,51,59, 63,68,75,96,102,113,117, 400,401,402,403,404	X-276-7	1
B*	Screw, R.H.M. #8 - 32 x 3/8 35,37,43,48,51,59,68,75, 96,117,400,401,402,403, 404	X-167-1	2
	Screw, R.H.M. #10 - 32 x 3/8 63	X-50-2	2
C1	Cleaner, air 1,102	151834	1
	Cleaner, air (Replaced by 46 743 01) 24	A-220302	1
C2	Cleaner, air - assembly (Includes A,N1,02 & Q2) 35,37,43,48,51,96,402	A-230837	1
C3	Cleaner, air - assembly (Includes J,K,L & M) (Replaced by A-241302) 67	240259	1
	Cleaner, air - assembly (Includes J,K,L & M) 78	A-230538	1
D	Stud, air cleaner 1/4 - 20 x 6-1/4 1,102	230196	1
	Stud, air cleaner 1/4 - 20 x 7-1/4 24	220314	1

*REVIEW PARTS BULLETIN NO. 124 (DATED 4/83) BEFORE ORDERING THIS PART.



INDEX LTR.	DESCRIPTION VARIATION NUMBER	PART NUMBER	QTY.
N2	Cover, air cleaner 113	41 082 01	1
Q1	Element, air cleaner (Use 230840 on spec suffix "D" & later) 35,43,59,63,400,401	232804	1
Q2	Element, air cleaner 37,48,51,96,117,402	230840	1
	68,75	231847	1
	113	235116	1
P	Element, precleaner (May be used with air cleaner element 230840)	234870	1
	Element, precleaner (May be used with air cleaner element 231847)	234869	1
Q1*	Base, air cleaner (Use 230838 on spec suffix "D" & later) 35,43,59,63,400,401,403,404	231576	1
Q2*	Base, air cleaner 37,48,51,96,402	230838	1
	68	231857	1
	75	232551	1
	117	221149	1
Q3	Base, air cleaner 113	41 094 06	1
?	Seal, air cleaner 113	47 032 03	1

INDEX LTR.	DESCRIPTION VARIATION NUMBER	PART NUMBER	QTY.
S	Cover, duct (3-11/16" x 5-7/32 lg.) (Replaced by A-230365-S) 3	230994	1
	Cover, duct (3-13/32" x 5-3/16" lg.) 100	220854	1
T	Body, duct (Replaced by A-230365-S) 3	234459	1
	Body, duct (3-3/8" x 5-3/16" lg.) 100	220855	1
U	Element (2-3/8" I.D. x 2-3/4" O.D. x 1) (Used with A-230365 duct) 3	220922	1
	Element (2" I.D. x 3" O.D. x 1-5/8") (Used with A-230365-S duct) 100	235308	1
V	Spacer 3,100	X-400-73	2
W	Sock, polyurethane 78	232568	1
X	Duct, air intake - assembly (Includes A,S,T,U & V) (Replaced by A-230365-S) 3	A-230365	1
	Duct, air intake - assembly (Includes E1,S,T,U & V) 100	A-230365-S	1



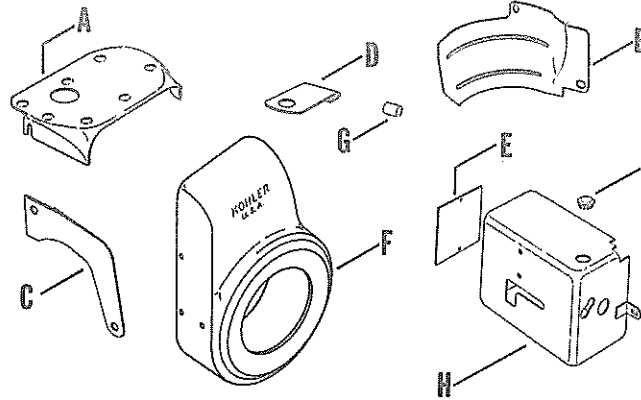
*REVIEW PARTS BULLETIN NO. 124 (DATED 4/83) BEFORE ORDERING THIS PART.

2.3

K141

23

2 BAFFLES AND SHROUD



INDEX LTR.	DESCRIPTION VARIATION NUMBER	PART NUMBER	QTY.
------------	------------------------------	-------------	------

Specification prior to 29356 have a bore size of 2-7/8". Bore size is now 2-15/16" which is the K181 bore size. The K141 now uses the same size blower housing as the K181.

Use stock of original part number before ordering replacement.

A	Baffle, head 1,6,34,40,111,118,123,146, 156,162,167,169,175,190, 203,204,211,219,231,239, 249 266,268,269,274,275,276, 278,279,299,301,318 315	234402 234796 41 124 02	1 1 1
B	Baffle, cylinder 1,6,34,40,111,118,123,146, 156,162,167,169,175,190, 203,204,211,219,231,249 239 266,268,269,274,275,276, 278,279,299,301,318 315	230054 234510 234795 41 063 07	1 1 1 1
C	Baffle, side air 34,40,111,118,123,146, 167,175,190,203,204,219, 239,249,266,268,269,274, 275,276,278,279,299,301, 318 315	230757 41 063 08	1 1
D	Plate, cover (Discontinued--Not Available) 156	232536	1
E	Plate, duct cover 156,211	231970	1
F	Housing, blower 1,34,167,203 6,40,175	231204 41 027 03	1 1

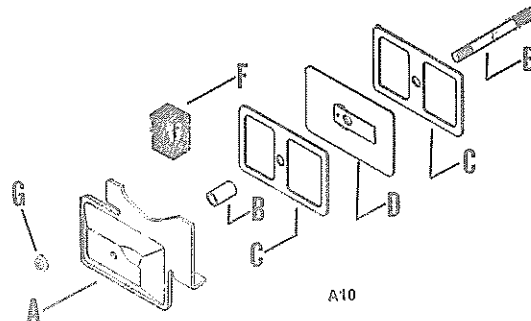
INDEX LTR.	DESCRIPTION VARIATION NUMBER	PART NUMBER	QTY.
------------	------------------------------	-------------	------

(F - CONTINUED)

	111,162,169,249	234447	1
	118	232699	1
	146,190,204,219	41 027 01	1
	231	232951	1
	239,269	234315	1
	249	234447	1
	266	231774	1
	274	234449	1
	275	41 027 07	1
	276	41 027 06	1
	278	41 027 09	1
	279	41 027 08	1
	299	41 027 17	1
	315,318	41 027 20	1
	Housing, blower (Discontinued--Not Available) 123	231275	1
	Housing, blower (Replaced by 234447) 156,211	231905	1
	Housing, blower (Replaced by 41 027 21) 268,301	41 027 05	1
G	Spacer 156,211	X-400-36	1
H	Duct, hot air 156 211	231965 232626	1 1
J	Button, plug 156 211	X-301-1 X-301-1	2 1

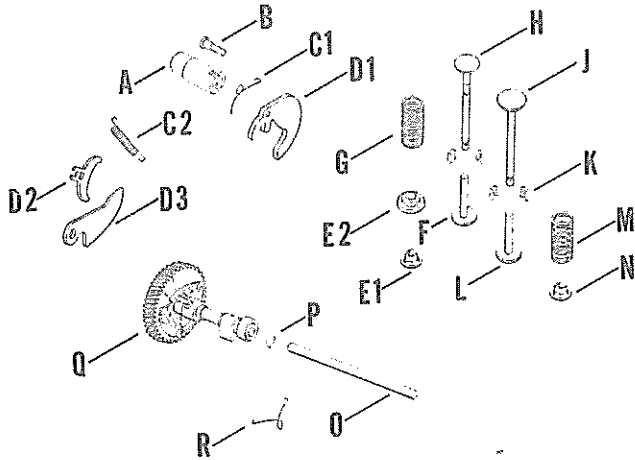
BREATHER AND VENT

3



INDEX LTR.	DESCRIPTION VARIATION NUMBER	PART NUMBER	QTY.	INDEX LTR.	DESCRIPTION VARIATION NUMBER	PART NUMBER	QTY.
A	Cover, valve - assembly (Includes F) 2	A-234678	1	D3	Flyweight (Discontinued-- Not Available)	232633	1
	Cover, valve - assembly (Includes F) 8	232919	1	E1	Retainer, exhaust valve spring 40,47,51,60	230011	1
	Cover, valve (Includes F) 13	41 254 03	1	E2	Rotator, exhaust valve 48,52	230020	1
B	Seal, breather 2,8,13	230046	1	F	Tappet, exhaust valve (ACR) (Use 230013 tappet on engines prior to spec suffix "C" without ACR camshaft) 40,47,48,51,52,60	232777	1
C	Gasket, valve cover 2,8,13	230048	2	G	Spring, exhaust valve 40,47,51,60	230010	1
D	Breather 2,8,13	230066	1		48,52	230168	1
E	Stud, valve cover 2,8,13	230043	1	H	Valve, exhaust 40,47,51	230710	1
F	Filter 2,8,13	231419	1		Valve, exhaust (Stellite) 48,52,60	230027	1
G	Palnut 13	X-799-1	1	J	Valve, intake 40,47,48,51,52,60	230008	1

4 CAMSHAFT AND VALVES



INDEX LTR.	DESCRIPTION VARIATION NUMBER	PART NUMBER	QTY.
	Parts identified by Index Letter A thru D3 were used on engines prior to spec suffix "C".		
A	Cam, ignition (Magneto)	230188	1
	Cam, ignition (Battery)	230690	1
B	Pin, flyweight	231730	2
C1	Spring, governor	275267	2
C2	Spring, spark advance	232661	1
D1	Flyweight, spark advance	230087	2
D2	Weight, stabilizing	232659	1

K	Keeper, valve 40,47,48,51,52,60	240013	4
L	Tappet, intake valve 40,47,48,51,52,60	230013	1
M	Spring, intake valve 40,47,48,51,52,60	230010	1
N	Retainer, intake valve spring 40,47,48,51,52,60	230011	1
O	Pin, camshaft 40,47,48,51,52,60	230053	1
P	Spacer, camshaft .005 40,47,48,51,52,60	230293	A.R.
	Spacer, camshaft .010 40,47,48,51,52,60	230294	A.R.
Q	Camshaft - kit (Metallic gear) 40,47,48,51,52	A-230155-S	1
	Camshaft - kit (Non-metallic gear) 60	A-231511-S	1
R	Spring, actuating 40,47,48,51,52,60	47 089 01	1

Automatic Compression Release Camshafts

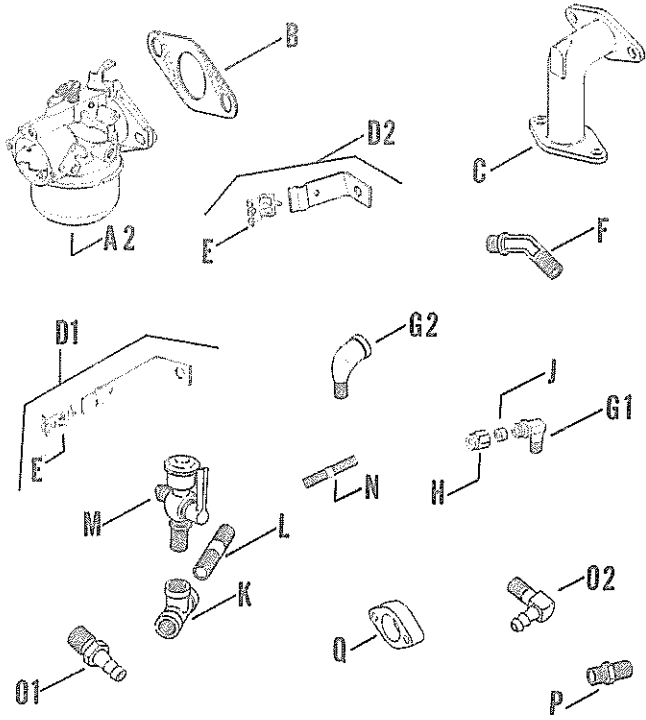
Parts "A" through "D3" are the only servicable parts for the old style camshaft assemblies. If replacement of a complete camshaft is necessary, the Automatic Compression Release Camshaft Kit A-230155-S or A-231511-S should be used. These kits include exhaust valve tappet 232777 which must be used with ACR camshafts.

5
5

K141

5

CARBURETOR



INDEX LTR.	DESCRIPTION VARIATION NUMBER	PART NUMBER	QTY.
E	Clip, cable 110,138,189	235603	1
F	Elbow 45° (Replaced by X-411-2) 119	231668	1
G1	Elbow 90° 116	231510	1
G2	Elbow 45° 167	X-274-8	1
H	Nut 119	220786	1
J	Sleeve 119	220547	1
K	Tee, pipe 117,167	X-203-10	1
L	Nipple 1/8 x 3/4 117,167	X-217-11	1
M	Cup, fuel 117,167	X-376	1
N	Stud, carburetor 143	220133	2
O1	Connector, hose 110,117,118,153,164,167	X-380-1	1
O2	Connector, hose 113,115,189	X-391-1	1
P	Connector 109,138	231509	1
Q	Adapter, flange 143	220783	1

INDEX LTR.	DESCRIPTION VARIATION NUMBER	PART NUMBER	QTY.
------------	------------------------------	-------------	------

Use stock of original part number before ordering replacement.

A1	Kit, carburetor (Not Shown) (Includes air cleaner A-230837, fuel pump B-231390 and carburetor G-220517)(Grid A11) 77,80,87,136	A-231614-S	1
A2	Carburetor - assembly (Grid A10) 95,109,110,113,115,116, 119,138,143,153,159,164 117,167 118 189	G-220517 B-231469 A-231966 41 053 06	1 1 1 1
B	Gasket, carburetor ALL (except 189) 189	210223 41 049 01	A.R. 1
C	Elbow, carburetor 77,80,87,136	231585	1
D1	Bracket, choke - assembly (Includes 235603 clip) 110,138	A-236918	1
D2	Bracket, choke - assembly (Includes 235603 clip) 189	41 217 01	1

INDEX LTR.	DESCRIPTION VARIATION NUMBER	PART NUMBER	QTY.
------------	------------------------------	-------------	------

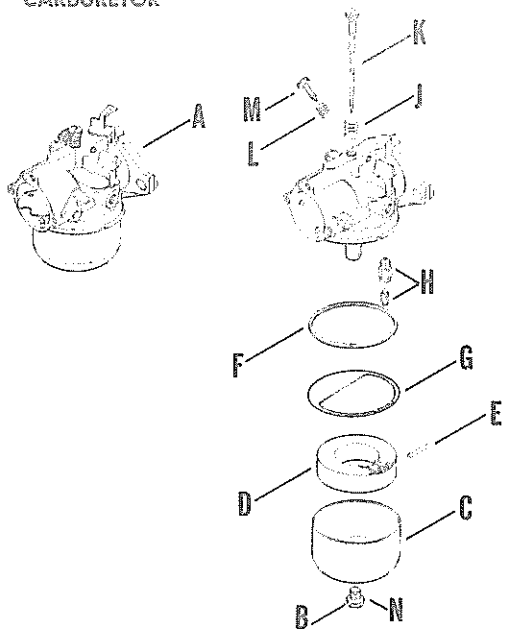
Use stock of original part number before ordering replacement.

ALL includes variations 95,109,110,113,115,116,118,117,118,119,138,143,153,159,164,167 & 189.

A	Carburetor - assembly 95,109,110,113,115,116, 119,138,143,153,159,164 117,167 118 189	G-220517 B-231469 A-231966 41 053 06	1 1 1 1
B	Screw, bowl retainer ALL	200420	1
C	Bowl, fuel 95,109,110,113,115,116, 118,119,138,143,153,159, 164,189 117,167	200418 200435	1 1



5 CARBURETOR

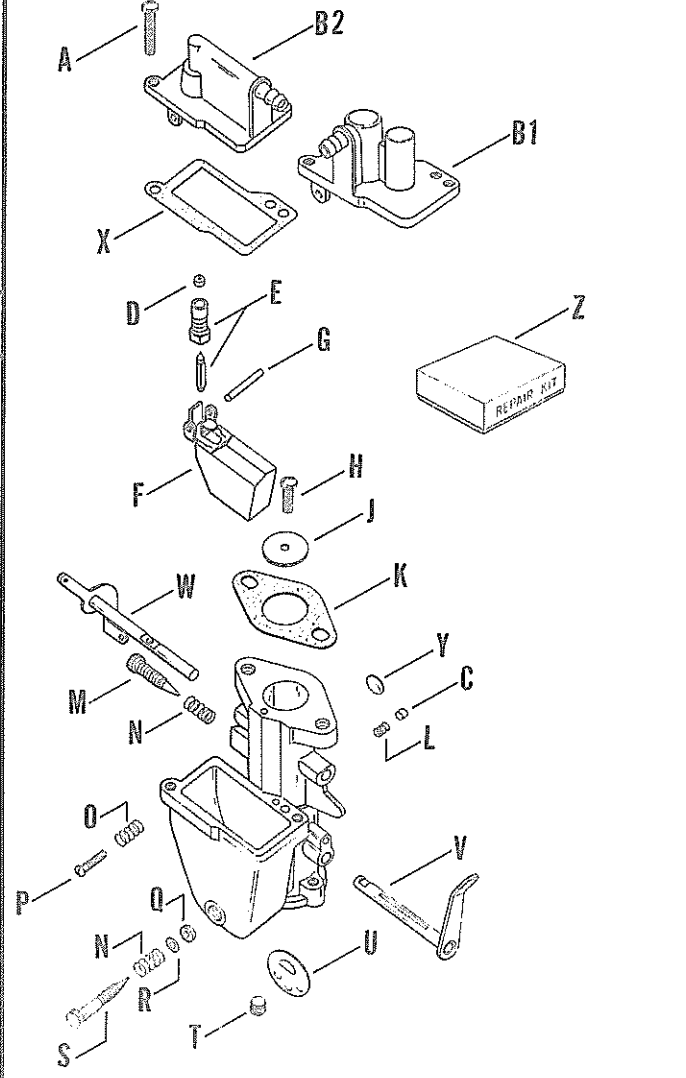


INDEX LTR.	DESCRIPTION VARIATION NUMBER	PART NUMBER	QTY.
D	Float ALL	200408	1
E	Pin, float hinge ALL	200376	1
F	Gasket, bowl ALL	200375	1
G	Gasket, anti-splash ALL	200439	1
H	Needle and seat (Replaced by 231555) ALL	200443	1
J	Spring, main fuel adjusting needle ALL	200383	1
K	Needle, main fuel adjusting ALL	200410	1
L	Spring, idle fuel adjusting needle ALL	200380	1
M	Needle, idle fuel adjusting ALL	200438	1
N	Gasket, bowl retainer screw ALL	200372	1
	Repair kit (Includes bowl retainer screw gasket, bowl ring gasket, float pin, bowl baffle gasket and needle with seat & gasket) ALL	231555	1

INDEX LTR.	DESCRIPTION VARIATION NUMBER	PART NUMBER	QTY.
------------	------------------------------	-------------	------

Carburetor parts listed under Variation 77, 80, 87 and 136 are for upright carburetor. Engines with sidedraft carburetors use Variation 101.

	Kit, carburetor (Includes air cleaner A-230837, fuel pump B-231390 and carburetor G-220517) 77,80,87,136	A-231614-S	1
A	Screw, #8 - 32 x 1/2 77,80,87,136	X-14-12	2
B1	Cover, float bowl 77	234219	1
B2	Cover, float bowl 80,87,136	232995	1



CARBURETOR **5**

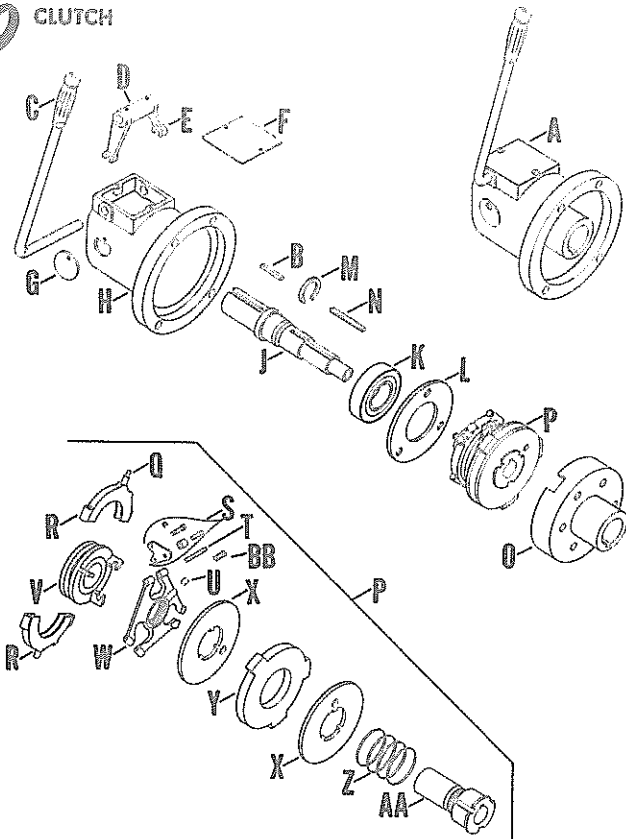
5.6

K141

5.6

INDEX LTR.	DESCRIPTION VARIATION NUMBER	PART NUMBER	QTY.	INDEX LTR.	DESCRIPTION VARIATION NUMBER	PART NUMBER	QTY.
C	Plug, friction 77,80,87,136	234243	1	X	Gasket, float bowl cover (Discontinued--Not Available) 77,80,87,136	232990	1
D	Gasket, needle and seat 77,80,87,136	232986	1	Y	Plug, welch 3/8 (Discontinued--Not Available) 77,80,87,136	D-271	1
E	Needle and seat, inlet (Discontinued--Not Available) 77,80,87,136	231622	1	Z	Repair kit (Discontinued--Not Available) 77,80,87,136	231624	1
F	Float 77,80,87,136	231621	1	CLUTCH 6			
G	Pin, float pinion 77,80,87,136	232994	1	INDEX LTR.	DESCRIPTION VARIATION NUMBER	PART NUMBER	QTY.
H	Screw and split washer 77,136	X-49-24	1	A	Clutch - assembly (Includes C thru P) 3	A-231508	1
	80,87	234341	1	B	Key, square #1 3	X-286-2	1
J	Shutter, throttle 77,80,87,136	240468	1	C	Lever, shift 3	234122	1
K	Gasket, flange 77,80,87,136	232985	1	D	Pin, roll 3	X-280-14	2
L	Spring, choke friction 77,80,87,136	234245	1	E	Yoke, clutch 3	234123	1
M	Screw, idle adjusting 77,80,87,136	232993	1	F	Plate, instruction 3	234117	1
N	Spring, adjusting screw 77,80,87,136	234244	2	G	Cover 3	234088	1
O	Spring, idle speed regulating screw 77,80,87,136	232989	1	H	Housing, PTO 3	234126	1
P	Screw, idle speed regulating 77,80,87,136	232996	1	J	Shaft, drive 3	234118	1
Q	Packing 77,80,87,136	232987	1	K	Bearing 3	234119	1
R	Washer, main adjusting 77,80,87,136	232988	1	L	Retainer, bearing 3	234121	1
S	Screw, main adjusting 77,80,87,136	232583	1	M	Ring, snap 3	234120	1
T	Screw, plug 1/4 - 28 77,80,87,136	232992	1	N	Key 3	231845	1
U	Shutter, choke 77,80,87,136	232991	1	O	Cup, drive 3	234141	1
V	Shaft and lever, choke 77	231620	1	P	Clutch - assembly (Includes Q thru BB) 3	A-234124	1
	80,87,136	232997	1				
W	Shaft and lever, throttle (Discontinued--Not Available) 77,80,87,136	231623	1				

6 CLUTCH



CRANKCASE 7

INDEX LTR.	DESCRIPTION VARIATION NUMBER	PART NUMBER	QTY.
------------	------------------------------	-------------	------

Use stock of original part number before ordering replacement.

Specifications prior to 29356 have a bore size of 2-7/8". Bore size is now 2-15/16" which is the K181 bore size. The K141 now uses the same bearing plate and cylinder blocks as the K181.

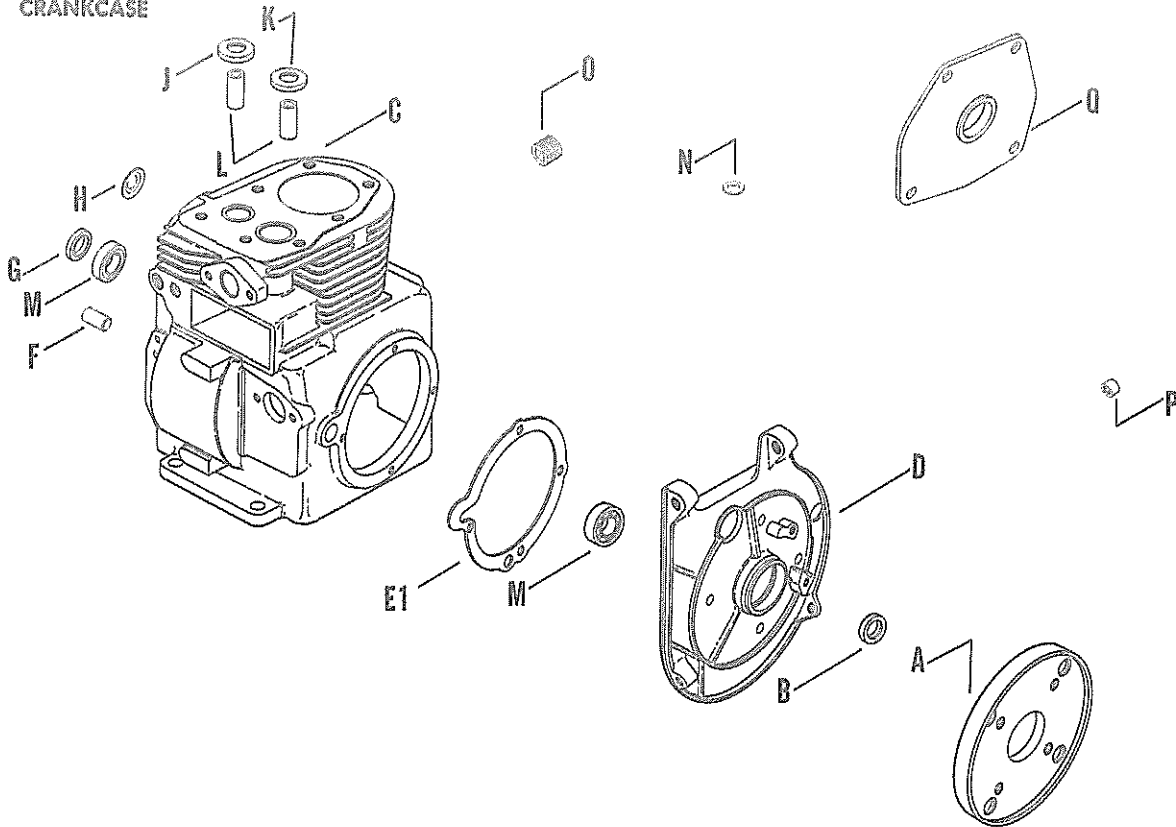
INDEX LTR.	DESCRIPTION VARIATION NUMBER	PART NUMBER	QTY.
Q	Fitting, alemite 3	234127	1
R	Bearing, release 3	234116	1
S	Lever, clutch (Discontinued--Not Available) 3	234128	6
T	Pin, adjusting spider 3	234134	3
U	Plug, lock 3	234136	1
V	Sleeve, release 3	234125	1
W	Spider, adjusting 3	234133	1
X	Plate, clutch 3	234137	2
Y	Plate, drive 3	234139	1
Z	Spring, separating 3	234138	1
4A	Body, clutch 3	234140	1
BB	Screw, adjustment lock 3	234135	1

A	Plate, mounting 149,200,220,230	230983	1
B	Seal, front oil ALL (except 230) 230	X-583-1 X-271-27	1 1
C	Cylinder Block Service with either a Short Block or Miniblock. Refer to Group 41 for Short Blocks or Group 42 for Miniblocks.		
D	Plate, bearing 29 90,92,93,94,97,98,112,131,176,200,700 Plate, bearing 103,107,141 Plate, bearing (Used on engines with 2-7/8 bore) 111,128,130 Plate, bearing (Use 230062 on spec suffix "A") 124 Plate, bearing (Used on engines with 2-7/8 bore) 149 Plate, bearing (Used on engines with 2-15/16 bore) 194,196,211,216,219,220,230 Plate, bearing (Used on engines with 2-15/16 bore) 215,223,236	230062 A-231660 231654 A-231999 231654 A-232688 41 156 02 41 156 03	1 1 1 1 1 1
E1	Gasket, bearing plate 29,90,92,94,97,98,103,111,112,124,128,130,141,176,194,196,200,211,215,219,220,223,700	230071	1
	Gasket, bearing plate shim 93,107,131,149,216,230,236	230112	A.R.
E2	Gasket, adapter (Not Shown) 700	231732	1
F	Shaft, governor ALL	230125-S	1

7

K141

7

7
CRANKCASE

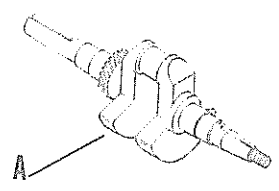
INDEX LTR.	DESCRIPTION VARIATION NUMBER	PART NUMBER	QTY.	INDEX LTR.	DESCRIPTION VARIATION NUMBER	PART NUMBER	QTY.
G	Seal, rear oil ALL (except 230)	X-583-2	1	N	Washer 176	231258	2
	230	X-271-26	1	O	Plug, pipe 211,215,216,219,220,230, 236	X-75-3	1
H	Plug, expansion ALL	X-230-11	1	P	Bearing ALL	234866	1
J	Insert, exhaust seat ALL	230170	1	Q	Plate, adapter 700	231731	1
K	Insert, intake seat 230	230265	1				
L	Guide, valve ALL	230007-S	2				
M	Bearing, ball 29,103,107,124,141,194, 196,211,215,216,219,223, 230,236	231625	2				
	90,92,93,94,97,98,111,112, 128,130,131,149,176,200, 220,700	231625	1				

8.9

K141

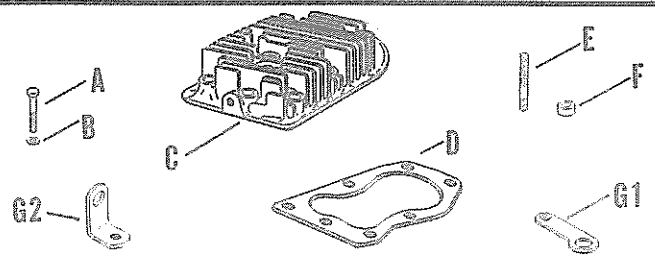
8.9

8 CRANKSHAFT



INDEX LTR.	DESCRIPTION VARIATION NUMBER	PART NUMBER	QTY.
For description of crankshaft power take-off end, refer to ENS-708 crankshaft publication.			
A	Crankshaft		
	1	230395	1
	2	234028	1
	3	230388	1
	4	230394	1
	6	230450	1
	32	230982	1
	62	231561 (1)	1
	64	231611 (2)	1
	71	231670 (3)	1
	81	231832	1
	87	231916	1
	99	232503	1
	100	232668	1
	109	232922	1
	115	234587	1
	119	234815	1
	120	234833	1
	Crankshaft (Discontinued--Not Available)		
	116	234579	1
	(1) Standard	(3) Standard-tapped	
	(2) Gear Reduction		

9 CYLINDER HEAD



INDEX LTR.	DESCRIPTION VARIATION NUMBER	PART NUMBER	QTY.
A	Screw, hex. hd. 5/16 - 18 x 1-5/8 1,5,15,44,45,52,54,65,66, 70,71,72	230992	1
	33	230992	6
	53	230992	4
	57	230992	2
	Screw, hex. hd. 5/16 - 18 x 1-1/2 1,45,66	230175	6
	3,15,34,70	230175	7
	5,48	230175	5
	33	230175	1
	44,46,52,71	230175	4
	57,72	230175	3
	63	41 086 02	1
	69	41 086 02	6
B	Washer 5/16 1,3,15,33,34,45,46,52,57, 63,66,69,70,71,72	220534	7
	5,44,48	220534	9
	53	220534	10
C	Head, cylinder (If compression release is desired, order kit no. A-230155-S)		
	1,5,15,34,44,46,48,52, 57,63,66,70,71,72	41 015 02	1
	Head, cylinder 3,33,53	230403	1
	45,69	41 015 02	1
D	Gasket, head ALL	41 041 05	1
E	Stud 5	220304	2
	44	232810	1
	44,66,69	220304	1
	46	231907	3
	48	231907	2
	52,53,57,71	220304	3
	63	232810	6
	72	232810	4
F	Spacer 52,57,71	234847	3
	63	234847	6

(F - CONTINUED NEXT PAGE)

9.10.11

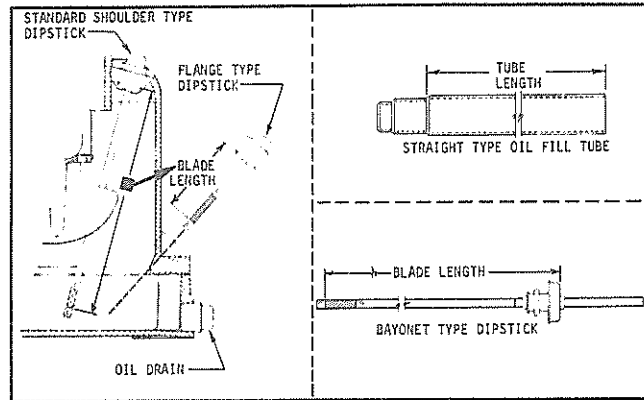
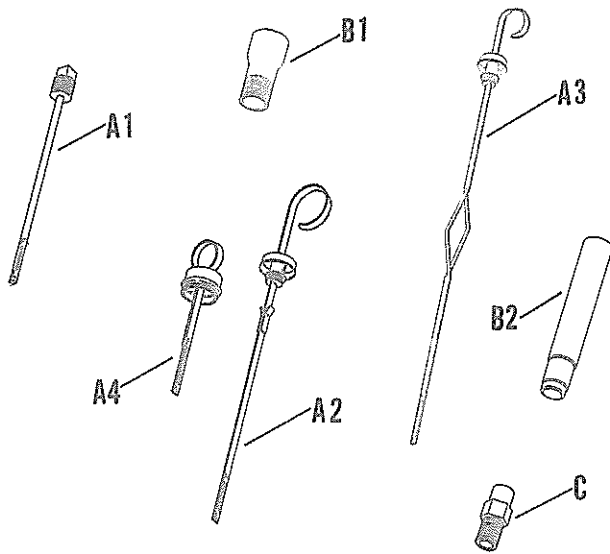
K141

9.10.11

INDEX LTR.	DESCRIPTION VARIATION NUMBER	PART NUMBER	QTY.
(F - CONTINUED)			
	66,69	234847	1
	72	234847	4
G1	Strap, lifting 1,5,15,45,52,57,63,66,70, 71,72	232867	1
G2	Strap, lifting 69	47 445 01	1

INDEX LTR.	DESCRIPTION VARIATION NUMBER	PART NUMBER	QTY.
B1	Tube, oil fill 1-7/8" 2	221264	1
	Tube, oil fill 5-5/8" 4,16	234975	1
	Tube, oil fill 10-9/16" 17	234977	1
B2	Tube, oil fill 4-9/16" 8	231726	1
C	Adapter, dipstick 1-1/8 10	220462	1

10 DIPSTICK



ELECTRIC START

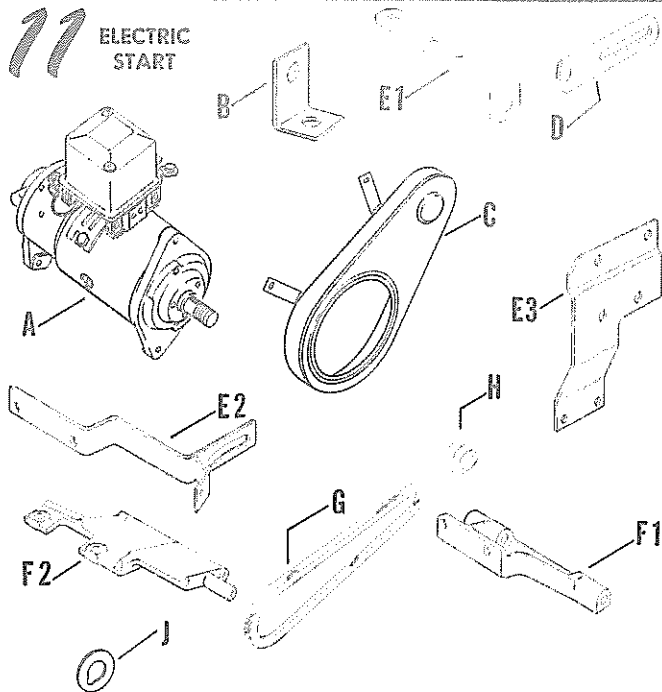
11

INDEX LTR.	DESCRIPTION VARIATION NUMBER	PART NUMBER	QTY.
Use stock of original part number before ordering replacement.			
A1	Dipstick 6-9/16" blade 1	A-230092	1
	Dipstick 2-9/64" blade 5	A-231271	1
A2	Dipstick 8-11/32" blade 2	A-231495	1
	Dipstick 7-5/16" blade 16	A-232857	1
A3	Dipstick 12" blade 4	A-231496	1
	Dipstick 11-5/8" blade 8	A-231725	1
	Dipstick 16-31/32" blade 17	A-232805	1
A4	Dipstick 3-9/16" blade 10	A-231710	1

INDEX LTR.	DESCRIPTION VARIATION NUMBER	PART NUMBER	QTY.
A	Starter - generator - assem. (Grid B3) 46,53,68,113	B-230922	1
	Starter - generator - assem. (includes regulator)(Grid B3) 81	B-230715	1
B	Bracket, belt guard 68,81	232731	1
C	Guard, belt 68,81	232673	1
D	Bracket, starter adjusting 46 113	230914 231828	1 1
E1	Bracket, starter 46	230915	1
E2	Bracket, starter 53,68,81	231861	1
E3	Bracket, starter 113	232983	1
F1	Bracket, starter lower 46,113	234301	1
F2	Bracket, starter lower 53,68,81	231860	1

11

ELECTRIC START



MOTOR GENERATOR - 12 VOLT

INDEX LTR.	DESCRIPTION VARIATION NUMBER	PART NUMBER	QTY.
G	Belt 46,53,68,81	231605	1
	113	231446	1
H	Pulley, drive 46,53,68,81,113	231278	1
J	Shim .010 46,53,68,113	236397	A.R.



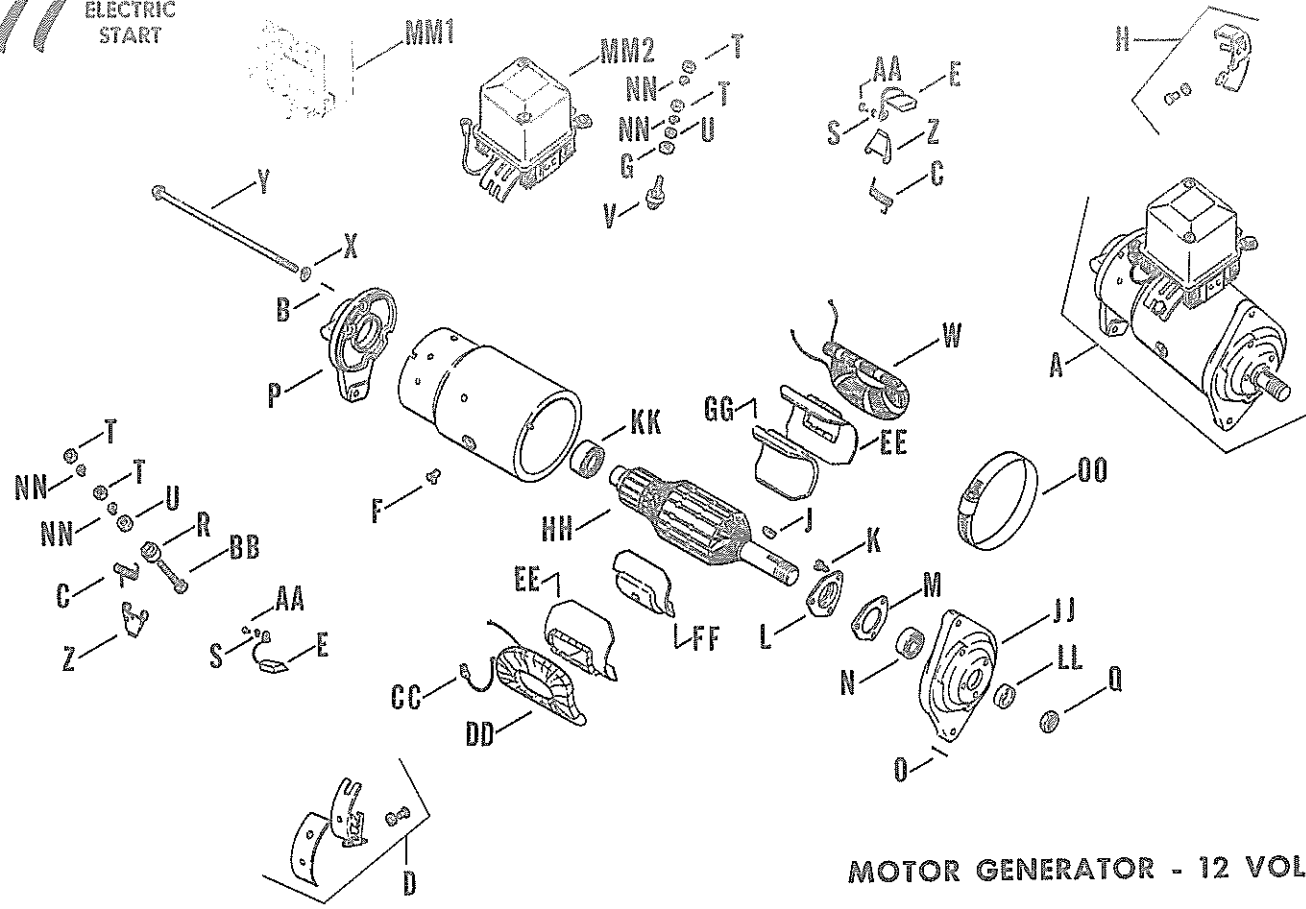
INDEX LTR.	DESCRIPTION VARIATION NUMBER	PART NUMBER	QTY.
------------	------------------------------	-------------	------

Use stock of original part number before ordering replacement.

A	Starter-generator - assembly 46,53,68,113	B-230922	1
	Starter-generator - assembly (Includes regulator) 81	B-230715	1
B	Pin, dowel C.E. 46,53,68,81,113	275993	1
C	Spring, brush 46,53,68,81,113	285652	2
D	Holder, insulated brush 46,53,68,81,113	231307	1
E	Brush 46,53,68,81,113	275741	2

INDEX LTR.	DESCRIPTION VARIATION NUMBER	PART NUMBER	QTY.
F	Screw, pole shoe 46,53,68,81,113	275984	2
G	Washer, insulated-terminal 46,53,68,81,113	275985	1
H	Holder, ground brush 46,53,68,81,113	231306	1
J	Key, woodruff 46,53,68,81,113	X-43-3	1
K	Screw, bearing retainer 46,53,68,81,113	275981	3
L	Plate, retainer D.E. 46,53,68,81,113	275976	1
M	Gasket, bearing retainer 46,53,68,81,113	231312	1
N	Bearing D.E. 46,53,68,81,113	270311	1
O	Pin, dowel D.E. 46,53,68,81,113	275994	1
P	Frame C.E. 46,53,68,81,113	230812	1
Q	Nut, shaft D.E. 46,53,68,81,113	271267	1
R	Bushing, insulated terminal "A" 46,53,68,81,113	232861	1
S	Washer, split - brush lead 81	X-18-1	2
T	Nut, terminal 46,53,68,81,113	X-81-7	4
U	Washer, flat - terminal (Discontinued--Not Available) 46,53,68,81,113	272319	2
V	Stud, terminal "F" 46,53,68,81,113	232862	1
W	Coil, field R.H. 46,53,68,81,113	230810	1
X	Washer, split - thru bolt 46,53,68,81,113	272330	2
Y	Bolt, thru 46,53,68,113	272329	1
	81	272329	2
Z	Arm, brush 46,53,68,81,113	272325	2
AA	Screw, brush lead 46,53,68,81,113	X-49-25	2
BB	Stud, terminal "A" 46,53,68,113	275972	4
	81	275972	1

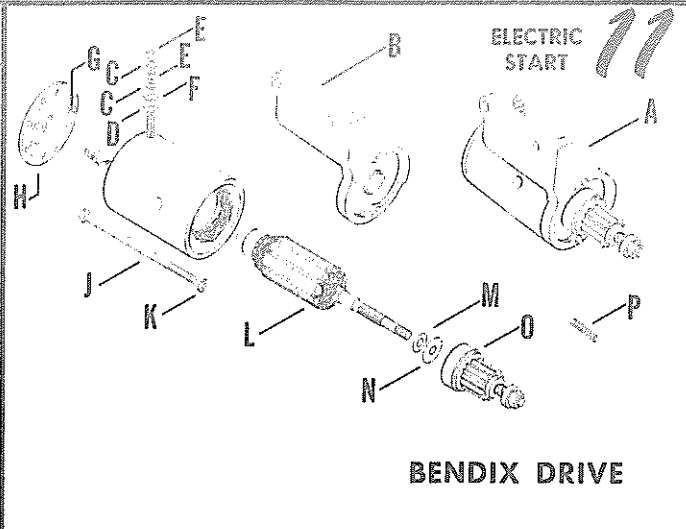
11 ELECTRIC START



MOTOR GENERATOR - 12 VOLT

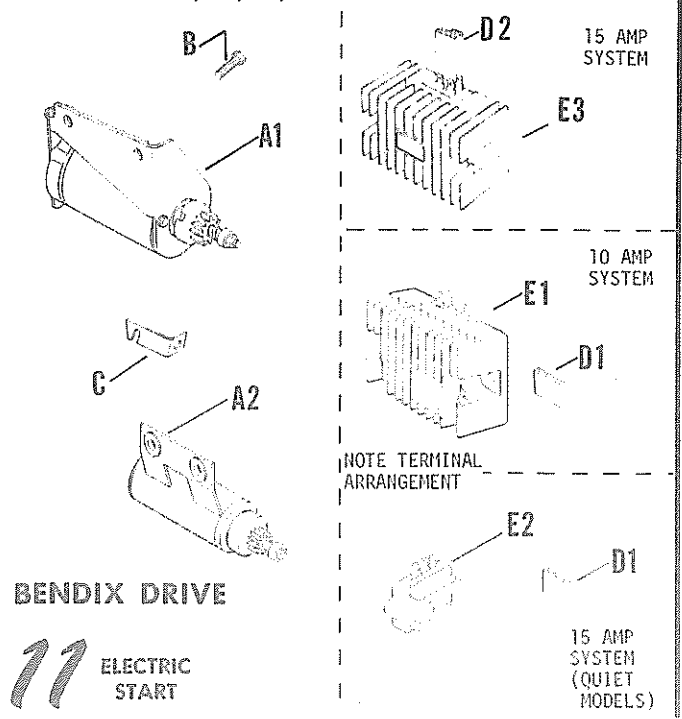
INDEX LTR.	DESCRIPTION VARIATION NUMBER	PART NUMBER	QTY.	INDEX LTR.	DESCRIPTION VARIATION NUMBER	PART NUMBER	QTY.
CC	Clip, terminal to brush 46,53,68,81,113	275987	1	KK	Bearing, ball C.E. 46,53,68,81,113	230813	1
DD	Coil, field L.H. 46,53,68,81,113	234416	1	LL	Collar, space D.E. 46,53,68,113	275017	1
EE	Insulator, field coil 46,53,68,81,113	234288	1		81	275988	1
FF	Shoe, pole plain (Discontinued--Not Available) 46,53,68,81,113	275016	1	MM1	Regulator 46,53,113	270952	1
GG	Shoe, pole notched 46,53,68,81,113	272317	1	MM2	Regulator 68,81	275746	1
HH	Armature 46,53,68,81,113	230809	1	NN	Washer, split-terminal stud 46,53,68,81,113	272320	4
JJ	Frame D.E. 46,53,68,81,113	275924	1	OO	Clamp, hose 68	X-426-7	1

INDEX LTR.	DESCRIPTION VARIATION NUMBER	PART NUMBER	QTY.
Use stock of original part number before ordering replacement.			
A1	Starter - assem. (SMH12A1) (Replaced by 41 098 01-- 05996-29-M030SM)(Use A-232981-S [SME12A12] prior to serial no. E-222999)(Use 41 098 01 [05996-29-M030SM] after serial no. 3371912) 121,122,128,129,201,203, 204,205,206,207	B-234193	1
A2	Starter - assembly 137,208	41 098 02	1
B	Screw, hex. hd. 3/8 - 16 x 1 121,128,201,203,204	234379	2



INDEX LTR.	DESCRIPTION VARIATION NUMBER	PART NUMBER	QTY.
C	Brace, tail 121,128,201,203,204	234803	1
D1	Connector 121,128,137,201,207,208	236602	1
D2	Connector 203,204,205,206	237429	1
E1	Rectifier-regulator 10 amp. 121,128,201	234279	1
E2	Rectifier-regulator 15 amp. 137	41 403 01	1
	207,208	41 403 05	1
E3	Rectifier-regulator 15 amp. 203,204,205,206	237335	1

INDEX LTR.	DESCRIPTION VARIATION NUMBER	PART NUMBER	QTY.
Use stock of original part number before ordering replacement.			
A	Kit, starter (SME12A12) (Use B-234193 [SMH12A1] after serial no. E-222998. Use 41 098 01 [05996-29-M030SM] after serial no. 3371912) 121,122,128,129,201,203, 204,205,206	A-232981-S	1
B	Plate D.E. 121,122,128,129,201,203, 204,205,206	234961	1
C	Washer (Replaced by 237761 kit) 121,122,128,129,201,203, 204,205,206	236594	2
D	Washer, insulator (Replaced by 237761 kit) 121,122,128,129,201,203, 204,205,206	236572	1
E	Nut, terminal (Replaced by 237761 kit) 121,122,128,129,201,203, 204,205,206	236575	2
F	Washer, spacing (Replaced by 237761 kit) 121,122,128,129,201,203, 204,205,206	236573	1
G	Brush and spring 121,122,128,129,201,203, 204,205,206	236576	1
H	Cap C.E. (Replaced by 236628) 121,122,128,129,201,203, 204,205,206	236567	1
J	Bolt, thru 121,122,128,129,201,203, 204,205,206	236577	2
K	Washer - thru bolt (Replaced by 237761 kit) 121,122,128,129,201,203, 204,205,206	236574	2

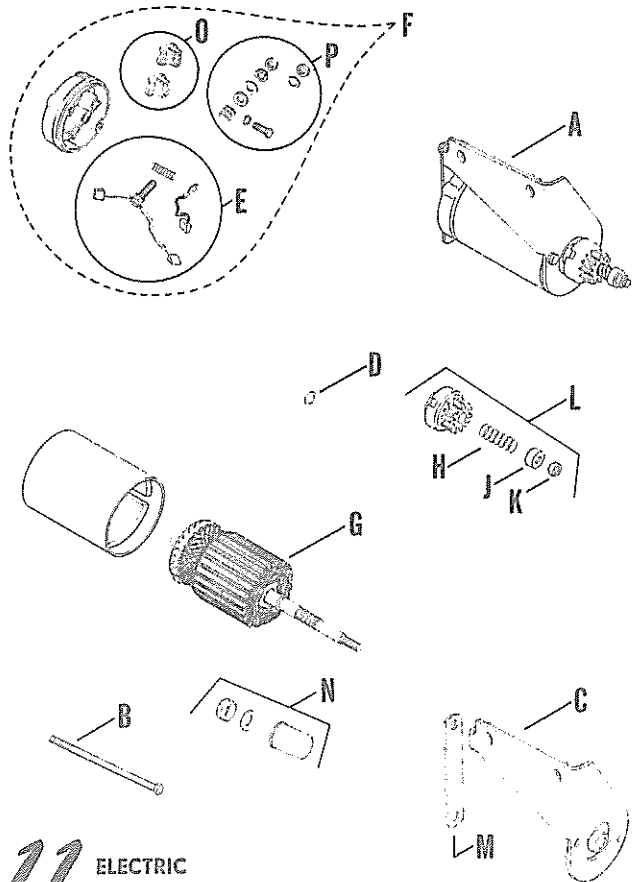


BENDIX DRIVE

11 ELECTRIC START

INDEX LTR.	DESCRIPTION VARIATION NUMBER	PART NUMBER	QTY.	INDEX LTR.	DESCRIPTION VARIATION NUMBER	PART NUMBER	QTY.
L	Armature 121,122,128,129,201,203, 204,205,206	236571	1	A	Starter-assembly (SMHT2A1) (Replaced by 41 098 01-- 05996-29-M030SM)(Use A-232981-S [SME12A12] prior to serial no. E-222999)(Use 41 098 01 [05996-29-M030SM] after serial no. 3371912) 121,122,128,129,201,203, 204,205,206	B-234193	1
M	Washer, spacer .005 121,122,128,129,201,203, 204,205,206	236570	1	B	Bolt, thru 121,122,128,129,201,203, 204,205,206	237358	2
N	Washer, spacer .010 121,122,128,129,201,203, 204,205,206	236568	A.R.	C	Bracket, and cap D.E. 121,122,128,129,201,203, 204,205,206	237360	1
O	Drive - assembly (Includes P) 121,122,128,129,201,203, 204,205,206	236565	1	D	Washer, armature thrust 121,122,128,129,201,203, 204,205,206	237363	1
P	Spring, drive 121,122,128,129,201,203, 204,205,206	237121	1	E	Kit, brush and spring 121,122,128,129,201,203, 204,205,206	237367	1
				F	Kit, commutator cap-assembly (Includes E, O & P) 121,122,128,129,201,203, 204,205,206	237368	1
				G	Armature 121,122,128,129,201,203, 204,205,206	237364	1
				H	Spring, anti-drift 121,122,128,129,201,203, 204,205,206	237357	1
				J	Spacer, stop gear 121,122,128,129,201,203, 204,205,206	237356	1
				K	Nut, stop 121,122,128,129,201,203, 204,205,206	X-101-4	1
				L	Kit, drive - assembly (Includes H, J & K) 121,122,128,129,201,203, 204,205,206	237369	1
				M	Bracket, support C.E. 121,122,128,129,201,203, 204,205,206	237365	1
				N	Kit, dust shield 121,122,128,129,201,203, 204,205,206	238009	1
				O	Kit, brush holder 121,122,128,129,201,203, 204,205,206	237762	1
				P	Kit, hardware 121,122,128,129,201,203, 204,205,206	237761	1

Use stock of original part number before ordering replacement.



11 ELECTRIC START BENDIX DRIVE

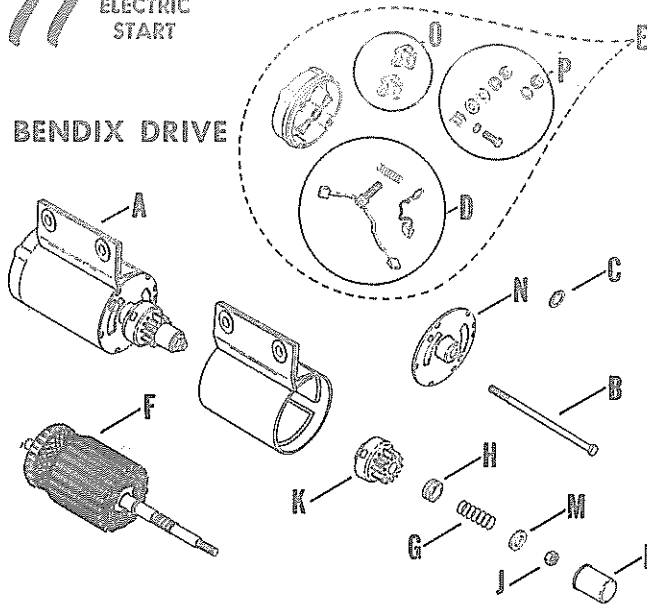
11

K141

11

11 ELECTRIC START

BENDIX DRIVE



INDEX LTR.	DESCRIPTION VARIATION NUMBER	PART NUMBER	QTY.
------------	------------------------------	-------------	------

Use stock of original part number before ordering replacement.

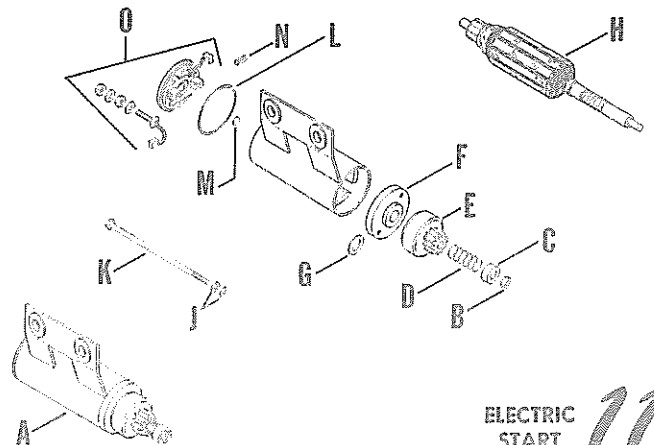
A	Starter - assembly (05996-29-M030SM) (Use B-234193 [SMH12A1] after serial no. E-222998. Use A-232981-S [SME12A12] prior to serial no. E-222999) 121,122,128,129,201,203, 204,205,206,207	41 098 01	1
B	Bolt, thru 121,122,128,129,201,203, 204,205,206,207	237649	2
C	Washer, armature thrust 121,122,128,129,201,203, 204,205,206,207	237363	1
D	Kit, brush and spring 121,122,128,129,201,203, 204,205,206,207	237367	1
E	Kit, commutator cap (Includes D, O & P) 121,122,128,129,201,203, 204,205,206,207	237368	1
F	Armature 121,122,128,129,201,203, 204,205,206,207	237364	1
G	Spring, anti-drift 121,122,128,129,201,203, 204,205,206,207	237357	1
H	Spacer, stop gear 121,122,128,129,201,203, 204,205,206,207	237645	1
J	Nut, stop 121,122,128,129,201,203, 204,205,206,207	237644	1

INDEX LTR.	DESCRIPTION VARIATION NUMBER	PART NUMBER	QTY.
E	Drive (Replaced by 41 755 04 kit) 121,122,128,129,201,203, 204,205,206,207	41 171 01	1
L	Cover, dust 121,122,128,129,201,203, 204,205,206,207	41 096 01	1
M	Spacer, dust cover 121,122,128,129,201,203, 204,205,206,207	237647	1
N	Cap, drive end 121,122,128,129,201,203, 204,205,206,207	237650	1
O	Kit, brush holder 121,122,128,129,201,203, 204,205,206,207	237762	1
P	Kit, hardware 121,122,128,129,201,203, 204,205,206,207	237761	1



INDEX LTR.	DESCRIPTION VARIATION NUMBER	PART NUMBER	QTY.
------------	------------------------------	-------------	------

A	Starter - assembly (Includes B thru O) (09680-27-M020SM) 137,208	41 098 02	1
B	Nut, stop 137,208	237644	1
C	Pinion, stop 137,208	41 241 01	1
D	Spring, anti-drift 137,208	41 089 01	1
E	Pinion, drive 137,208	41 171 02	1
F	Cap, drive end 137,208	41 227 01	1
G	Washer 137,208	236569	1



ELECTRIC START

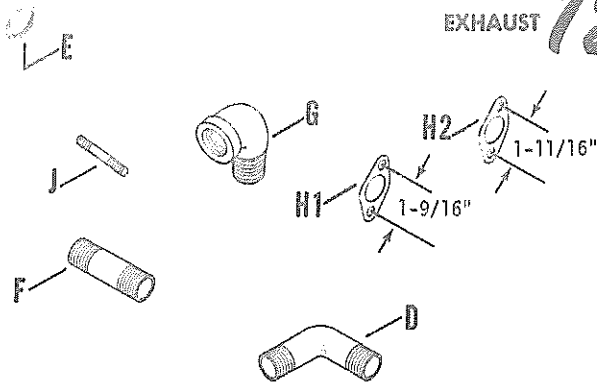
11

11.12

K141

11.12

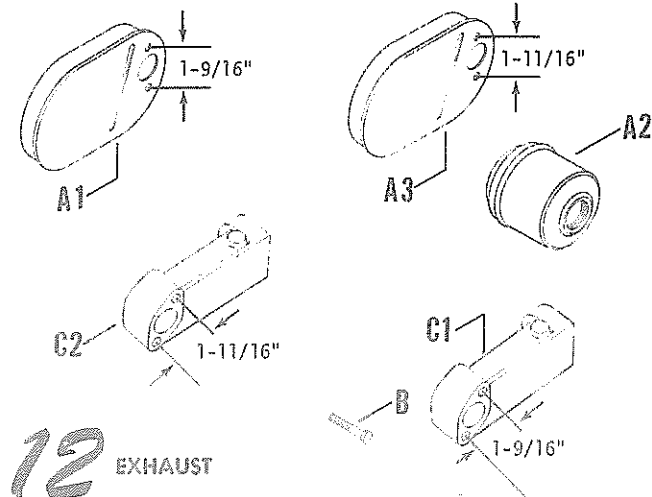
INDEX LTR.	DESCRIPTION VARIATION NUMBER	PART NUMBER	QTY.
H	Armature 137,208	41 170 01	1
J	Washer 137,208	D-2883	4
K	Bolt, thru 137,208	41 086 01	2
L	Gasket 137,208	41 056 02	1
M	Disc, thrust 137,208	41 273 01	1
N	Spring, brush 137,208	41 089 02	2
O	Cap, commutator end 137,208	41 227 02	1



EXHAUST 12

12 EXHAUST

INDEX LTR.	DESCRIPTION VARIATION NUMBER	PART NUMBER	QTY.
Use stock of original part number before ordering replacement.			
A1	Muffler 1	230943	1
	Muffler 2	230946	1
	Muffler 7,44	230948	1
	Muffler 46	232571	1
A2	Muffler 5,8,38,42,51,100,101,102, 103,104,105,106,107	230410	1
A3	Muffler 59	41 068 01	1
	61	41 068 03	1
	62	41 068 02	1



12 EXHAUST

INDEX LTR.	DESCRIPTION VARIATION NUMBER	PART NUMBER	QTY.
B	Cap screw 5/16 - 18 x 1-1/2 59,61,62	230175	2
C1	Kit, adapter (Includes one X-6-1 screw and one X-21-1 washer) 3,18,38,51,101	238069	1
C2	Elbow, exhaust 66,104,105	41 029 01	1
D	Elbow, exhaust 1 x 90° 42	231820	1
E	Nut, lock #1 8,42,106	AC-1536	1
F	Nipple 1 x 2 5,102,106	K-122	1
	Nipple 1 x 1-1/2 8,106	X-218-24	1
	Nipple 1 x 2-1/2 38,101,105	X-218-23	1
	Nipple 1 x 3 51,104,107	X-218-22	1
G	Elbow, street 1 x 90° 8,106	230600	1
H1	Gasket 1,2,3,7,18,38,44,46,51, 101,103	231090	1
H2	Gasket 59,61,62,66,104,105	41 041 01	1
J	Stud 5/16 - 18 x 2 1,2,3,18,38,51	230909	2
	7,46	230909	1
	Stud 5/16 - 18 x 2-1/8 7,44,46	230910	1
	Stud 5/16 - 18 x 2-1/2 44	220304	1
	66,104,105	220304	2

13
13

K141

13
13

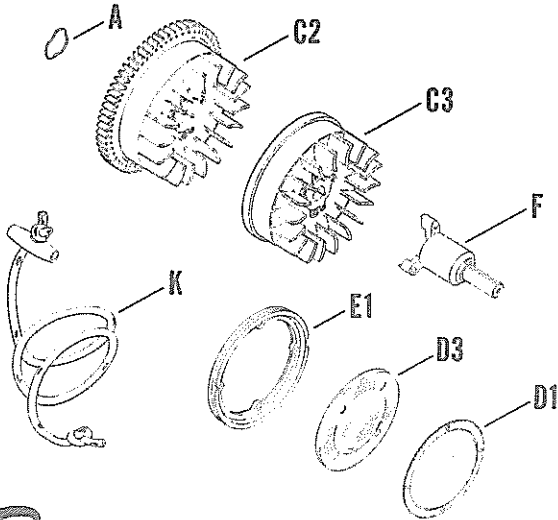
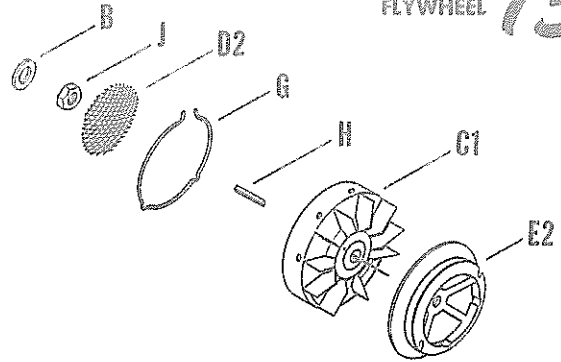
FLYWHEEL

FLYWHEEL

INDEX LTR.	DESCRIPTION VARIATION NUMBER	PART NUMBER	QTY.
------------	------------------------------	-------------	------

Use stock of original part number before ordering replacement.

A	Washer, tension 17,39,53,54,57,74,124	230148	1
B	Washer, flywheel 5/8 17,53,54,74,104,124	X-24-2	1
	39,57,101,110,113,128, 129,131,133,141	X-25-15	1
	117	X-25-64	1
C1	Flywheel 17	230713	1
	39	231140	1
	53,54	231638	1
	57	231637	1
	74,104	A-232826	1
	117	231208	1
	Flywheel (Discontinued--Not Available) 124	234740	1
C2	Flywheel 101	A-234598	1
	Flywheel 110,113	A-234287	1
	131,141	41 025 17	1



13
FLYWHEEL

INDEX LTR.	DESCRIPTION VARIATION NUMBER	PART NUMBER	QTY.
C3	Flywheel (Use 41 025 11 after serial no. 6366215) 128,129	41 025 01	1
	Flywheel 133	41 025 05	1
D1	Screen, grass (Use 231142 prior to serial no. 661889) 39,57,101,110	231523	1
D2	Screen, grass 53,128	230098	1
D3	Screen, grass 131	234392	1
E1	Pulley 39,57,101,110,117	231330	1
E2	Pulley, rope start (Replaced by 41 093 02) 53,128	230150	1
F	Shaft, front drive 117	230531	1
G	Retainer, screen 53,128	230363	1
H	Key, square 1-11/16 17,53,54,57,74,104,117	231845	1
	Key, square 1-3/8 39,101,110,113,124,128, 129,131,133,141	X-286-15	1
J	Nut, flywheel 5/8 - 18 (Replaced by X-119-14) 17,53,54,74,104,124	X-85-1	1
	Nut, flywheel 5/8 - 18 39,57,101,110,113,117, 128,129,131,133,141	X-119-14	1
K	Rope, starting ALL	A-230099	1

14

K141

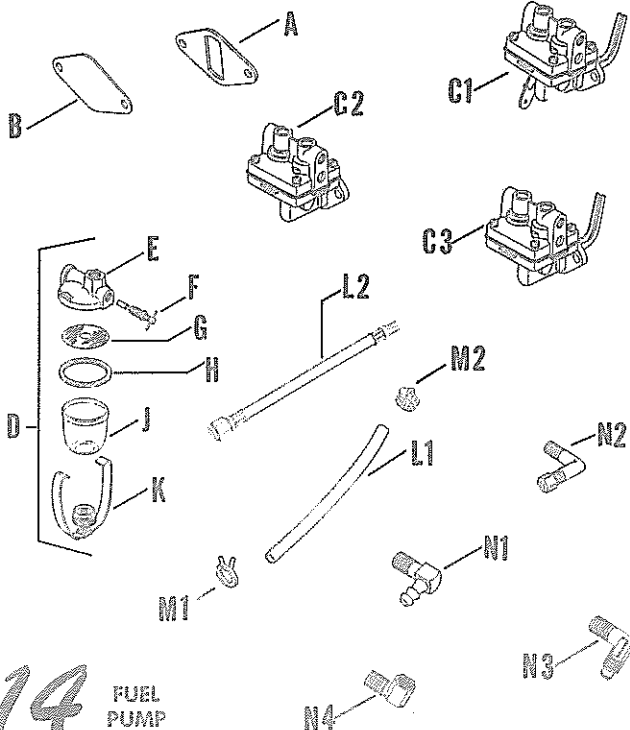
14

14

FUEL PUMP

INDEX LTR.	DESCRIPTION VARIATION NUMBER	PART NUMBER	QTY.
<p>Use stock of original part number before ordering replacement.</p> <p>NOTE: Specifications with Variation 1 which have Carburetor Variations 77,80 and 87 may have been converted to fuel pump application by installing Carburetor Kit A-231614-S. On these applications use Fuel Pump Variation 999.</p>			
A	Gasket, fuel pump pad 1,2,29,35,39,41,44,49, 53,57,59,200,201,203	47 041 01	1
	23,30,32,46,202	47 041 01	2
	65	47 041 04	1
B	Cover, pump pad 1,53,200,201,203	240282	1
C1	Pump, fuel (with hand lever) 2,44,49	C-230361	1
C2	Pump, fuel (vacuum) 23,35,999	B-231390	1
C3	Pump, fuel 29,30,32,39,41,46,57,59, 202	A-231796	1
	Pump, fuel (Includes gasket) 65	41 559 01	1
D	Filter, fuel - assembly (Includes E thru K) 2,29,30,49,53,200,201,202, 203	A-210101	1

INDEX LTR.	DESCRIPTION VARIATION NUMBER	PART NUMBER	QTY.
E	Top, filter 2,29,30,49,53,200,201,202, 203	210478	1
F	Valve, needle 2,29,30,49,53,200,201,202, 203	A-210480	1
G	Screen 2,29,30,49,53,200,201,202, 203	210479	1
H	Gasket, bowl 2,29,30,49,53,200,201,202, 203	210468	1
J	Bowl, filter 2,29,30,49,53,200,201,202, 203	210467	1
K	Bail 2,29,30,49,53,200,201,202, 203	A-210477	1
L1	Line, fuel 3 (Use 230140 prior to serial no. 3000001) 2,23,30,32,39,44,46,49, 57,59,65,202	X-697-6	1
	Line, fuel 7 29,35	X-386-19	1
	Line, fuel 3-3/4 41	X-386-17	1
	Line, fuel 12 53,203	X-386-4	1
	Line, fuel 4 59	X-697-4	1
	Line, fuel 5-1/2 999	X-697-1	1
L2	Line, fuel 201	285188	1
M1	Clamp, hose (Use after serial no. 3000000) (Replaced by X-426-9) 2,23,30,32,39,44,46,49, 57,59,65,202	X-309-14	2
M2	Clamp, adjustable hose 999	X-426-9	3
N1	Elbow, hose 90° 2,23,30,32,35,44,46,49, 53,57,202,203	X-391-1	1
	29,39,41,59,65	X-391-1	2
	999	X-391-1	4
N2	Elbow, compression 90° 2,30,32	A-822	1
N3	Elbow 90° 46,201,202	X-447-10	1
N4	Elbow, street 90° 49	X-211-10	1



14

FUEL PUMP

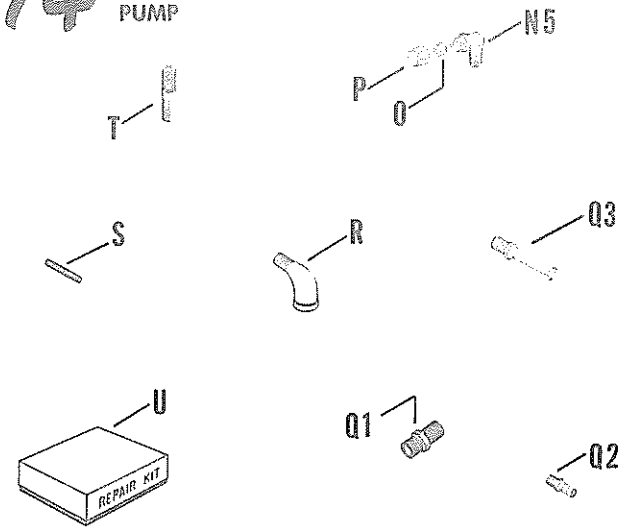
14.15

K141

14.15

14 FUEL PUMP

FUEL TANK 15



INDEX LTR.	DESCRIPTION VARIATION NUMBER	PART NUMBER	QTY.
N5	Elbow 90° 57	231570	1
O	Sleeve (Use prior to serial no. 3000001) 2,23,30,32,39,44,49,57	220547	2
P	Nut (Use prior to serial no. 3000001) 2,23,30,32,39,44,49,57	220786	2
Q1	Connector (Use prior to serial no. 3000001) 2,23,30,32,39,44,49,57	231509	1
Q2	Connector 29	X-495-1	1
Q3	Connector 35,200	X-380-1	1
R	Elbow, street 45° 2,30	X-274-4	1
S	Stud 53	232960	2
T	Nipple 3/4 2,29,30,200,201	X-217-6	1
	Nipple 53,203	X-217-7	1
U	Repair kit, pump (Use only with pumps having letter "B" stamped on body) 2,29,30,32,39,41,44,46,49, 57,59,202	230675	1
	Repair kit, pump 23,35	231597	1

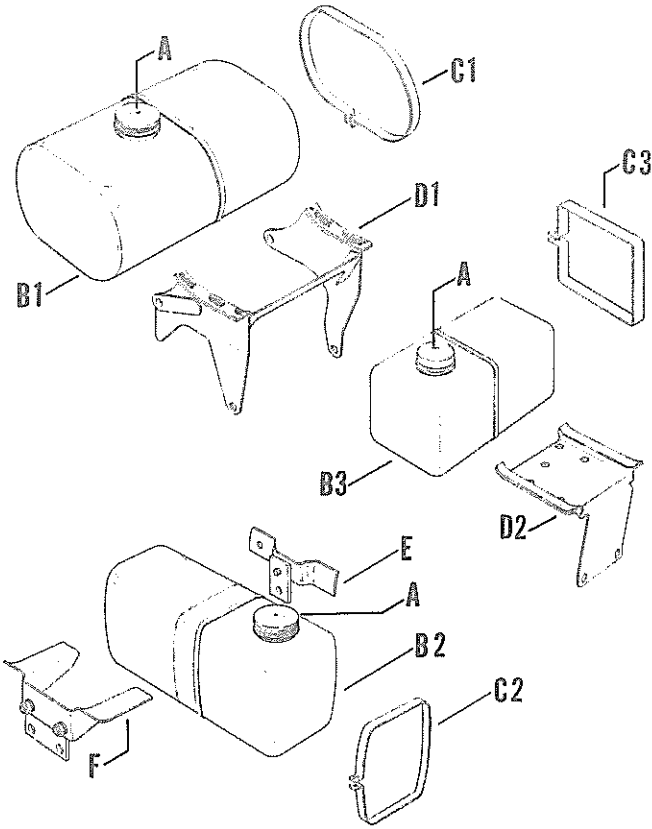
INDEX LTR.	DESCRIPTION VARIATION NUMBER	PART NUMBER	QTY.
Use stock of original part number before ordering replacement.			
A	Cap, fuel tank 24,25,34,36,41,42,43,53, 56,57,62,64,66,67,70,71, 74,82,84,86,88,300,301, 302,303,304,305	236655	1
	45	220853	1
	63	220956	1
B1	Tank, fuel - 1.25 gal. (Includes cap) 24,25,45,53,300,302	230164	1
	Tank, fuel - 1.7 gal. (Includes cap) 301	235370	1
B2	Tank, fuel - 0.72 gal. (Includes cap) 34,36,41,62,64,66,74	231746	1
	Tank, fuel - 0.9 gal. (Includes cap) 42,43,56,57,63,67,82,88, 304,305	231747	1
B3	Tank, fuel - 1.5 gal. (Includes cap) 70,71,84,86,303	234451	1
C1	Strap, tank (1.25 gal. tank) 24,25,45,53,300,302	A-234167	2
C2	Strap, tank (0.72 or 0.9 gal. tank) 34,36,41,42,43,56,57,62, 63,64,66,67,74,82,88,304	A-234873	2
C3	Strap, tank (1.5 gal. tank) 70,71,86,301,303	A-236938	2
	84	A-236938	1
D1	Bracket, tank (1.25 gal. tank) 24,25,302	234168	1
D2	Bracket, tank (1.5 gal. tank) (Replaced by 234767) 70,71,84,86	A-234767	1
E	Bracket, tank - upper (0.72 or 0.9 gal. tank) 34,36,41,42,43,56,57, 62,63,64,66,67,74,82, 88,304	A-234177	1
F	Bracket, tank - lower (0.72 or 0.9 gal. tank) 34,36,41,42,43,56,57,62,63, 64,66,67,74,82,88,304	A-234875	1

15

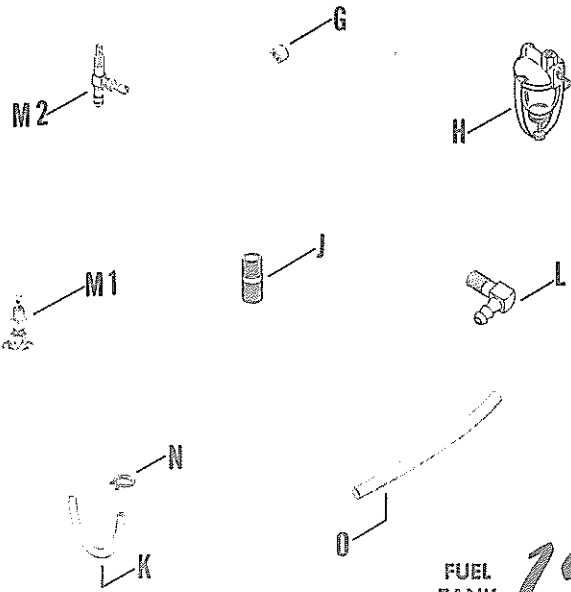
K141

15

15 FUEL TANK



INDEX LTR.	DESCRIPTION VARIATION NUMBER	PART NUMBER	QTY.
(K - CONTINUED)			
	Line, fuel 20-1/2 rubber 43,56	X-386-20	1
	Line, fuel 7 rubber 45	X-386-19	1
	Line, fuel 18-1/2 rubber 57,64,82,88	X-386-21	1
	Line, fuel 5-1/2 rubber 70,86	X-697-1	1
	Line, fuel 13-1/2 rubber 71	X-697-7	1
	Line, fuel 10-1/2 rubber 301	X-386-1	1
L	Connector 24,57,86	X-391-1	1
M1	Valve, fuel 25,34,41,42,43,45,56,62,63,66,67,70,71,74,82,84,88,301,302,304,305	220764	1
M2	Valve, fuel 36,64	231682	1
N	Clamp, hose (Replaced by X-426-9) 24,25,70,71,84,86,302	X-309-14	2
O	Sleeve, fuel line 34,36,41,42,43,56,57,62,63,64,66,67,74,82,88	X-621-1	1



INDEX LTR.	DESCRIPTION VARIATION NUMBER	PART NUMBER	QTY.
G	Spacer 1/4 36,64,74	X-400-31	1
H	Filter, fuel - assembly (Refer to Index Letter D, Group 14 for assembly details--Grid B10) 24,57,86	A-210101	1
J	Nipple 3/4 24,57,86	X-217-6	1
K	Line, fuel 7-1/2 rubber 24,25,84,302	X-697-8	1
	Line, fuel 15 rubber 34	X-386-22	1
	Line, fuel 16-1/2 rubber 36,41,42,62,63,66,67,74	X-386-24	1

FUEL TANK 15

16.17

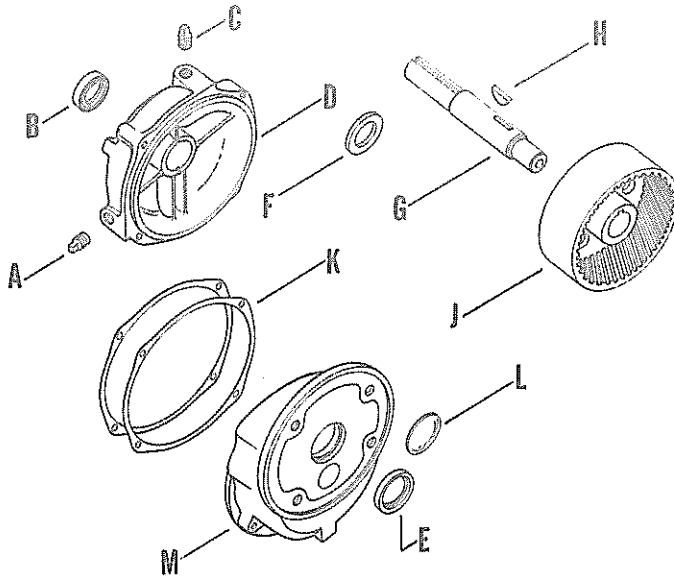
K141

16.17

76 GEAR REDUCTION

GOVERNOR

17



INDEX LTR.	DESCRIPTION VARIATION NUMBER	PART NUMBER	QTY.
------------	------------------------------	-------------	------

Use stock of original part number before ordering replacement.

NOTE: Specifications with Variations 84,85,86,87 and 92 which have Carburetor Variations 77,80,87 and 136 may have been converted from updraft to sidedraft carburetor by installing Carburetor Kit A-231614-S. On these applications use governor lever A-234178 (includes governor lever 232614 and governor spring 232617) and governor linkage 230078.

INDEX LTR.	DESCRIPTION VARIATION NUMBER	PART NUMBER	QTY.
A	Plug, pipe 1/4 1	X-75-2	1
B	Seal, oil 1	X-583-2	1
C	Plug, vented pipe 1	205013	1
D	Cover, housing (Includes bushing)(Engine-wise rotation) 1	A-230780	1
E	Seal, oil 1	X-271-22	1
F	Bearing, thrust 1	230219	2
G	Shaft, reduction 1	230214	1
H	Key, woodruff #9 1	X-45-1	1
J	Gear, reduction (Enginewise rotation) 1	230213	1
K	Gasket, gear cover .010 1	230218	1
	Gasket, gear cover .015 1	234497	A.R.
	Gasket, gear cover .020 1	234498	A.R.
L	Plug, expansion 1	160037	1
M	Housing, gear - assembly (Includes E & L) 1	A-230781	1

A	Arm, governor 128	220239	1
B	Spring, linkage 128	230117	1
C	Pin, governor stop (Use X-52-8 prior to serial no. 555266) ALL	231355	1
D	Linkage, governor ALL (except 84,85,86,87, 92,95)	230078	1
	84,85,86,87,92	231581	1
E	Washer, plain 7/32 I.D. x 3/8 O.D. x 1/32 126,140	X-25-58	1
F	Lever, governor (Use A-234178 prior to serial no. 319428--includes spring) 63,82,89,93,94,96,98,103, 105,109,114,119,120,124, 126,138,140,143,145,147, 148,149,155,164,167	232614	1
	Lever, governor 84,85,86,87,92,95	232616	1
	128	232762	1
G	Spring, governor (Use A-234178 prior to serial no. 319428--includes lever) 63,82,89,93,94,96,98,103, 105,109,114,119,120,124, 126,138,140,143,145,147, 148,149,155,164,167	232617	1
	Spring, governor 84,85,86,87,92,95	232618	1
	128	232619	1
H	Bushing, governor (Use 220132 prior to serial no. 319428) ALL	230476	1
J	Disc, regulating 63	231967	1
	82,84,85,89,93,95,120, 126,128,140,143,145,147, 148,149	230149	1
	86,98,103,138,155	232513	1

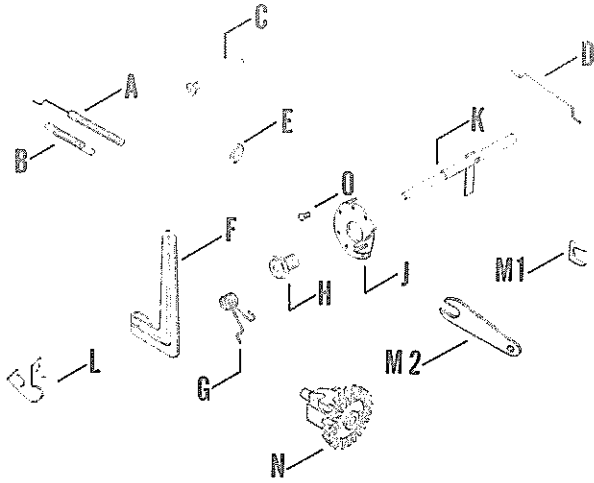
(J - CONTINUED NEXT PAGE)

17.18

K141

17.18

17 GOVERNOR



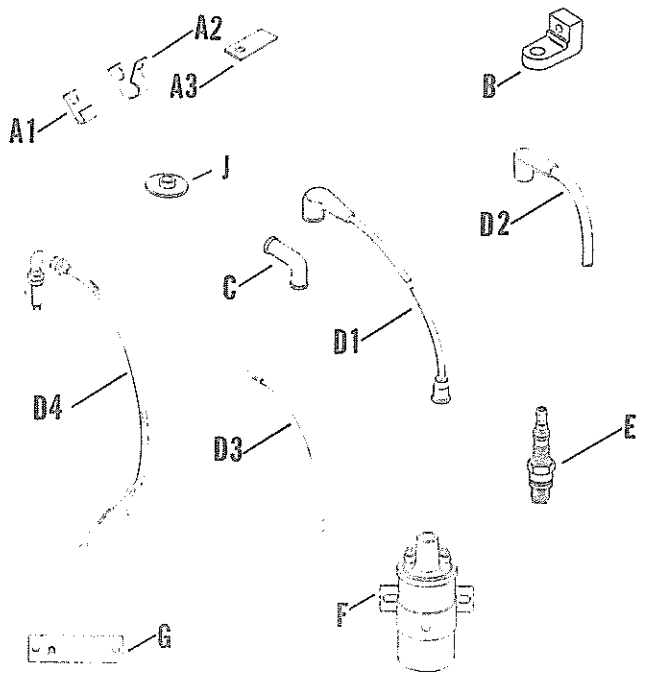
INDEX LTR.	DESCRIPTION VARIATION NUMBER	PART NUMBER	QTY.
N	Gear, governor 63,82,84,85,86,87,89,92, 93,94,95,96,98,103,105, 109,114,119,120,124,126, 128,138,140,143,145,147, 148,149,155,164,167	A-237031	1
O	Screw, drive #2 82,84,86,94,95,98,105,109, 114,119,120,124,126,138, 140,145,147,148,149,164, 167	X-67-5	1

IGNITION 18

INDEX LTR.	DESCRIPTION VARIATION NUMBER	PART NUMBER	QTY.
------------	------------------------------	-------------	------

Use stock of original part number before ordering replacement.

A1	Clip 3/4 wide 22,71,72,73,79,92,95,104, 107,110,120,125,133,134, 150,162,165,175,178,179, 181,184,185,188,195,209, 220,229,232,233,237	230249	1
A2	Clip 1/2 wide 73,110,125,134,150,195,209, 233,237	275183	1
	Clip 7/16 wide 188	X-728-1	1



BREAKER IGNITION

IGNITION 18

INDEX LTR.	DESCRIPTION VARIATION NUMBER	PART NUMBER	QTY.
(J - CONTINUED)			
	87	220760	1
	92,105,167	231329	1
	94	232549	1
	96	232638	1
	109,164	230913	1
	114	232736	1
	119	220766	1
	124	232836	1
K	Shaft, governor cross ALL	230540-S	1
L	Clip, cable 140,143,145,148,167	210149	1
M1	Bracket, speed control 63,114	231968	1
	96	230919	1
M2	Bracket, speed control (Use 220156 prior to serial no. 319428) 82,84,85,87,92,93,95,98, 103,140,147,164	230477	1
	Bracket, speed control (Replaced by 230477) 86,89,94,105,109,119, 120,124,138,143,145,149, 155	230557	1
	Bracket, speed control 126,148,167	232888	1
	128	230478	1

INDEX LTR.	DESCRIPTION VARIATION NUMBER	PART NUMBER	QTY.	INDEX LTR.	DESCRIPTION VARIATION NUMBER	PART NUMBER	QTY.
A3	Clip 110,125,134,150	232510	1	H1	Stator, rotor-magneto-assem. (Includes K1 & L2) 71,72,79,92,95,104,107, 109,120,133,162,175	A-231632	1
B	Bracket, stop control 107,133	231529	1	H2	Stator, rotor-magneto-assem. (Discontinued--Not Available) (Includes K2,L3 & N2) 73	C-230089	1
C	Cover, terminal 110,125 134,150,165,178,184,185, 195,209	220317 220791	1 1	H3	Stator, magneto-alternator assembly (Includes D5,K3,M,O,Y & Z) 110,125,134,150	A-232808	1
D1	Kit, hi-tension lead 22,179,181,229,232	238057	1	H4	Kit, stator (Includes terminals) 165	237876	1
	Cable, spark plug (Replaced by 238057 kit) 220,233,237	241389	1	H5	Stator, magneto - assembly (Includes D5,K3,M & O) 178,184,185,195,209 188	41 085 01 A-236439	1 1
D2	Cable, spark plug (Replaced by 238057 kit) 41,71,72,79,92,95,120,162, 175 107,133	A-230783 A-231961	1 1	H6	Kit, stator (Includes terminals) 179,181,220,229,237	237878	1
D3	Cable, spark plug 73	A-230782	1	J	Grommet, spark plug 220	47 313 01	1
D4	Cable, spark plug 104	A-230785	1	K1	Coil, stator 71,72,79,92,95,104,107, 109,120,133,162,175	231718	1
	Cable, spark plug (Discontinued--Not Available) 109	A-231408	1	K2	Coil, stator 73	230075	1
D5	Cable, spark plug 110,125,134,150,178,184, 185,195,209 188	234424 234426	1 1				
E	Plug, spark (Solid post-reach 3/8) 22,41,71,72,73,120,165, 178,179,181,195,209	270321-S	1				
	Plug, spark (Replaced by 41 132 06) (Resistor-reach 3/8) 79,92,95,107,110,125,133, 134,150,175,185	232604-S	1				
	Plug, spark (Shielded-resistor-reach 3/8) 104	220258-S	1				
	109,188	231410-S	1				
	Plug, spark (Short plug-bantam-reach 3/8) 162	235710-S	1				
	Plug, spark 184,229,232	41 132 06	1				
	Plug, spark 220,233	41 132 02	1				
	Plug, spark 237	41 132 08	1				
F	Coil, ignition (12 volt) 22,141,179,181,220,229, 232,237	231281	1				
G	Plate, coil 179,181,229,232	234994	1				

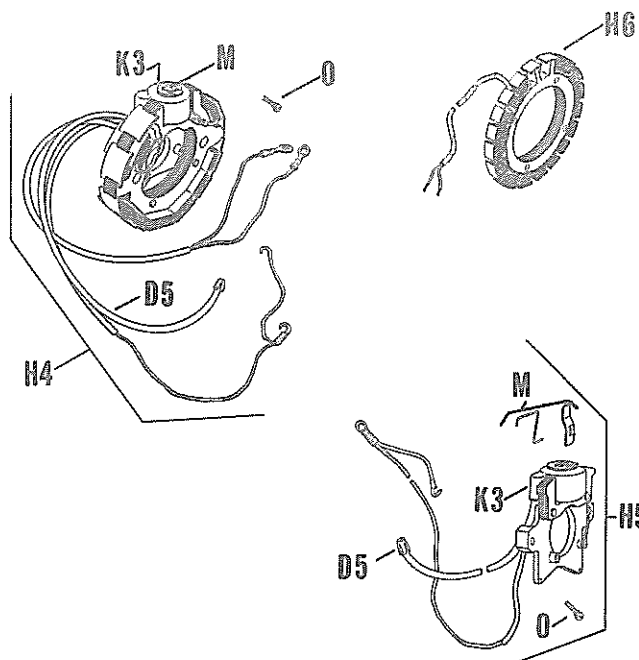
IGNITION **18**
BREAKER IGNITION

18
18

K141

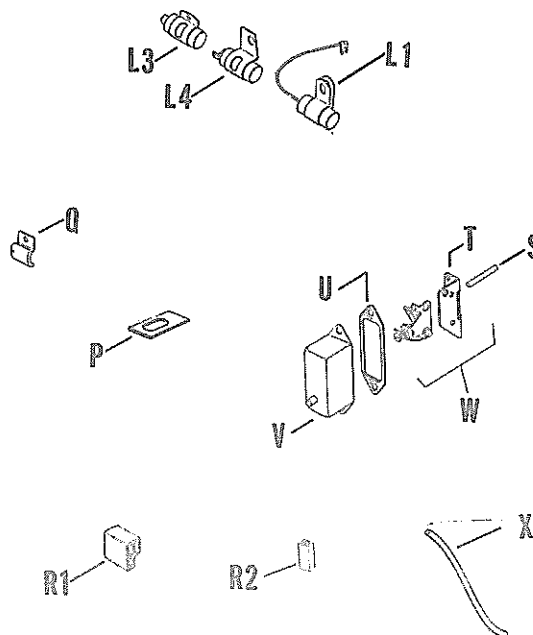
IGNITION

BREAKER IGNITION



INDEX LTR.	DESCRIPTION VARIATION NUMBER	PART NUMBER	QTY.
Q	Clip 165	234531	1
R1	Connector 179,229	237429	1
R2	Connector 233	277563	1
S	Rod, breaker ALL	41 411 01	1
U	Gasket, cover ALL	220174	1
V	Cover, breaker ALL	A-220136	1
W	Breaker <i>(Replaced by 47 150 03) (When installing 47 150 03 breaker, on engines below serial number 13007371, always install new push rod 41 411 01.)</i> ALL	47 150 01	1
X	Sleeve, cable 71,72,73,79,92,95,104,107, 109,110,120,125,133,162, 175	230334	1
Y	Coil, generator 110,125,134,150	232898	1
Z	Clip, generator coil 110,125,134,150	232899	1

INDEX LTR.	DESCRIPTION VARIATION NUMBER	PART NUMBER	QTY.
K3	Kit, coil (Includes clip) 110,125,134,150,178,184, 185,188,195,209	238059	1
L1	Condenser 22,41,179,181,220,229, 232,237	230722	1
L2	Condenser 71,72,79,92,95,104,107, 109,120,133,162,175	231719	1
	150	232813	1
L3	Condenser 73	220082	1
L4	Condenser 165,178,184,185,188,195, 209	47 147 01	1
M	Kit, coil clip 110,125,134,150,178,184, 185,188,195,209	237919	1
N1	Rotor 71,72,79,92,95,104,107, 109,120,133,162,175	231631	1
N2	Magnet, rotating 73	230360	1
O	Screw 110,125,134,150,175,178, 184,185,188,195,209	234423	1
P	Spring, stop control 107	231528	1
	133	232658	1



IGNITION 18

18.19

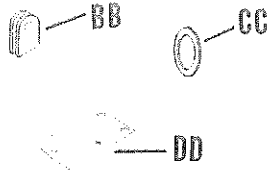
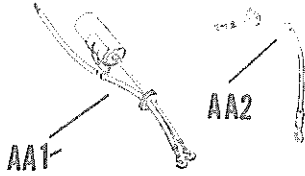
K141

18.19

18

IGNITION

BREAKER IGNITION



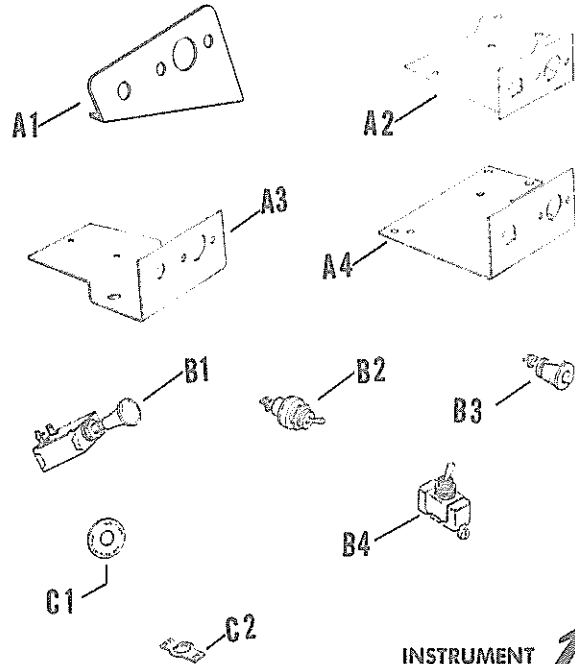
INDEX LTR.	DESCRIPTION VARIATION NUMBER	PART NUMBER	QTY.
AA1	Lead, breaker 17 (includes condenser) 134	A-235912	1
AA2	Lead, breaker 26 237	47 125 02	1
BB	Grommet ALL	220297	1
CC	Washer 233	270889	2
DD	Bracket, coil 233	41 088 02	1

19

INSTRUMENT PANEL

INDEX LTR.	DESCRIPTION VARIATION NUMBER	PART NUMBER	QTY.
A1	Panel, instrument 27,31	231723	1
A2	Panel, instrument 38	234521	1
A3	Panel, instrument (Discontinued--Not Available) 43	237505	1
A4	Panel, instrument 45	234867	1
	46,47	238013	1

INDEX LTR.	DESCRIPTION VARIATION NUMBER	PART NUMBER	QTY.
B1	Switch, ignition 27	275713	1
B2	Switch, ignition 31,90	234690	1
B3	Switch, ignition 38,39,43,45,501	236435	1
B4	Switch, ignition 47	238011	1
C1	Plate, instruction 27	223073	1
	38,39,43,45	236654	1
C2	Plate, instruction 31,47,90	220725	1



INSTRUMENT PANEL

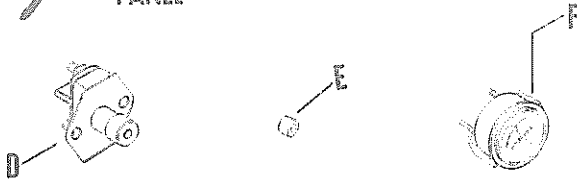
19

19.21.22

K141

19.21.22

19 INSTRUMENT PANEL

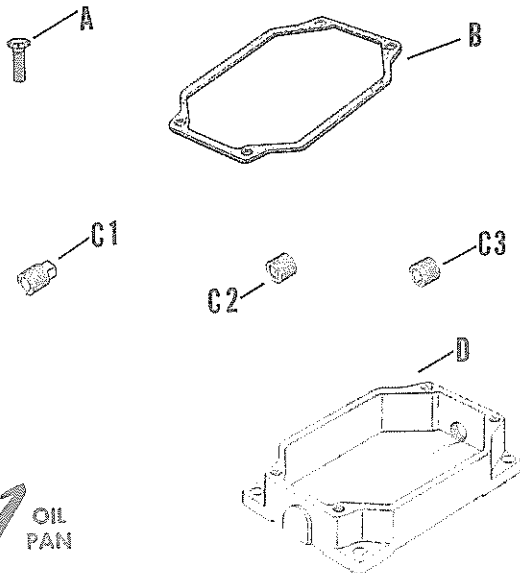


INDEX LTR.	DESCRIPTION VARIATION NUMBER	PART NUMBER	QTY.
D	Switch, starting 27,31,38,39,43,45,47	230442	1
E	Spacer 3/4 45,46,47,51	X-400-79	1
F	Ammeter 31	277190	1

INDEX LTR.	DESCRIPTION VARIATION NUMBER	PART NUMBER	QTY.
C2	Plug, drain sq. countersunk 5	X-75-3	1
C3	Plug, drain 1/2 hex. countersunk 36	X-75-30	1
D	Base, oil pan - Std. (Drain opposite carb.) 1,21,51,52	230021	1
	Base, oil pan (Double drain) 5,23,34	230804	1
	Base, oil pan (Drain on P.T.O. side) 36,43	231254	1
	Base, oil pan (Drain opposite carb.) 66	232779	1

21 OIL PAN

INDEX LTR.	DESCRIPTION VARIATION NUMBER	PART NUMBER	QTY.
A	Screw, hex. hd. 5/16 - 18 x 1-5/8 21,34	230992	2
B	Gasket, pan 1,5,21,23,34,36,43,51,53, 66	41 041 03	1
C1	Plug, drain 1/2 sq. hd. 1,5,21,34,43,51,52,66	X-75-28	1
	23	X-75-28	2



21 OIL PAN

PISTON AND ROD

22

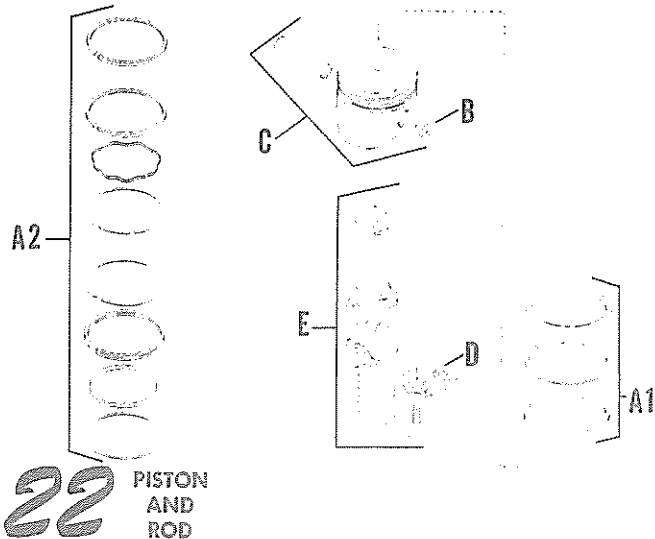
INDEX LTR.	DESCRIPTION VARIATION NUMBER	PART NUMBER	QTY.
	Use stock of original part number before ordering replacement.		
	Specifications prior to 29356 have a bore size of 2-7/8". Bore size is now 2-15/16" which is the K181 bore size. The K141 now uses the same size piston and rings as the K181. Stroke remains at 2-1/2" for K141 and 2-3/4" for K181.		
A1	Ring set - Std. (Bore 2-7/8) (Replaced by 231424) 2	230467	1
	Ring set - .010 (Replaced by 231425)	230468	
	Ring set - .020 (Replaced by 231426)	230469	
	Ring set - .030	230470	
	Ring set-Std. (Bore 2-15/16) (Replaced by 232575) 14	231973	1
	Ring set - .010 (Replaced by 232576)	231974	
	Ring set - .020 (Replaced by 232577)	231975	
	Ring set - .030 (Replaced by 232578)	231976	
	Service ring sets include ring expanders.		

22.23

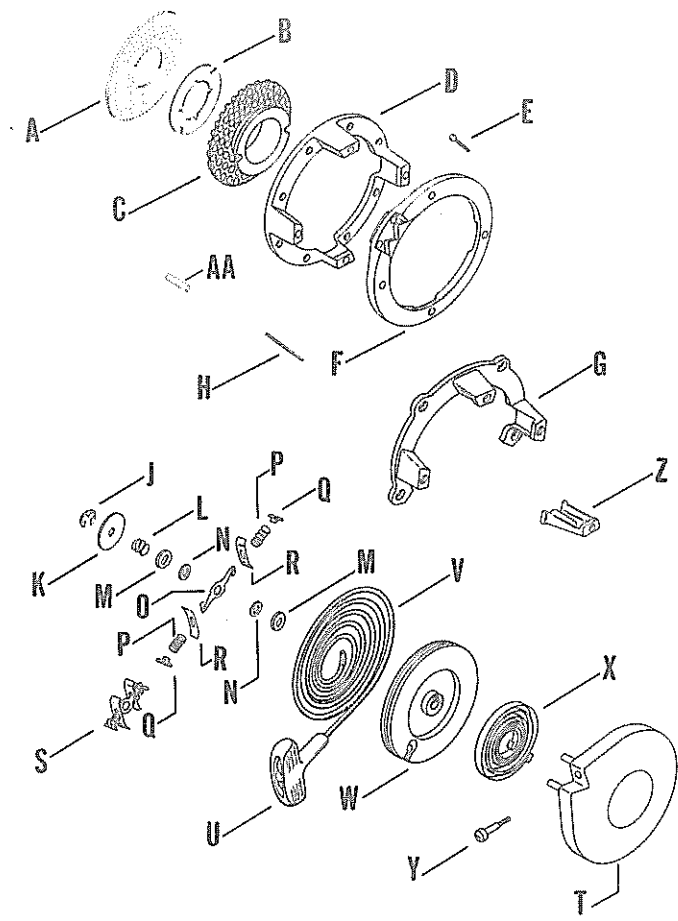
K141

22.23

INDEX LTR.	DESCRIPTION VARIATION NUMBER	PART NUMBER	QTY.	INDEX LTR.	DESCRIPTION VARIATION NUMBER	PART NUMBER	QTY.
A2	Ring set-Std. (Svc) (Bore 2-7/8) 2	231424	1	D	Lock, connecting rod 2,14	230525	1
	Ring set - .010 (Service)	231425		E	Rod, connecting - assembly (Std.) (Includes D) 2,14	B-230039	1
	Ring set - .020 (Service)	231426			Rod, connecting - assembly (.010)(Includes D)	B-230039-10	
	Ring set - .030 (Service)	231427		RETRACTABLE STARTER 23			
	Ring set-Std. & .003 (Service) (Bore 2-15/16) 14	232575	1	INDEX LTR.	DESCRIPTION VARIATION NUMBER	PART NUMBER	QTY.
	Ring set - .010 (Service)	232576			Use stock of original part number before ordering replacement.		
	Ring set - .020 (Service)	232577			Starter, retractable - assembly (Discontinued--Not Available) 2	A-230772	1
	Ring set - .030 (Service)	232578			Starter, retractable - assem. (Includes E thru L,N,S thru X) 16	A-234738	1
B	Retainer, pin 2,14	230004	2	A	Screen 16	231301	1
C	Piston - assembly--Std. (Bore 2-7/8) (Includes pin & retainers) 2	41 074 01	1	B	Ring, plate 16	231302	1
	Piston-assembly--.010 (Includes pin & retainers)	41 074 02		C	Pulley with screen 2	B-230773	1
	Piston-assembly--.020 (Includes pin & retainers)	41 074 03			Pulley with screen (Discontinued--Not Available) (Use A-231269 pulley w/screen & X-56-7 pin) 16	A-234839	1
	Piston-assembly--.030 (Includes pin & retainers)	41 074 04		D	Flange, mounting (Discontinued--Not Available) 2	230787	1
	Piston-assembly--Std. (Bore 2-15/16) (Includes pin & retainers) 14	41 074 05	1	E	Screw, machine 2,16	230788	4
	Piston - assembly -- .003 (Includes pin & retainers)	41 074 06		F	Flange, intermediate 2,16	230789	1
	Piston - assembly -- .010 (Includes pin & retainers)	41 074 07		G	Flange, mounting (Replaced by 221510 kit which includes 230789 flange) 16	234838	1
	Piston - assembly -- .020 (Includes pin & retainers)	41 074 08		H	Pin, centering 2	230795	1
	Piston - assembly -- .030 (Includes pin & retainers)	41 074 09			16	231539	1
				J	Ring, retaining 2,16	230790	1
				K	Washer, brake retainer 2,16	230791	1
				L	Spring, brake 2,16	220613	1



23 RETRACTABLE STARTER



INDEX LTR.	DESCRIPTION VARIATION NUMBER	PART NUMBER	QTY
T	Cover, starter 2,16	230796	1
U	Handle, starter 2,16	234452	1
V	Cord, starter 2	230792	1
	16	231538	1
W	Rotor, starter 2,16	230793	1
X	Spring, rewind 2,16	230794	1
Y	Screw, roller 2	230836	1
Z	Flange, leg-mounting 16	232593	1
AA	Pin 16	X-56-7	1

INDEX LTR.	DESCRIPTION VARIATION NUMBER	PART NUMBER	QTY.
------------	------------------------------	-------------	------

Use stock of original part number before ordering replacement.

A	Starter, recoil - assembly (Includes C thru R) (Replaced by 41 165 01) 9	A-231643	1
	Starter, recoil - assembly (Includes C thru R) 14	A-232974	1
	99	41 165 01	1
B	Cup, drive w/screen (Replaced by 41 071 02-- 41 071 02 must be used after serial no. 6366215) 9,14,99	A-231644	1
C	Screw 9,14,99	231691	1
D	Washer 9,14,99	231690	1
E	Washer 9,14,99	231693	1
F	Retainer 9,14,99	231699	1
G1	Spring, retainer 9,14,99	232525	1
G2	Spring, dog 99	33 089 06	3
H	Brake 9,14,99	231688	1
J	Washer, thrust 9,14,99	231692	1

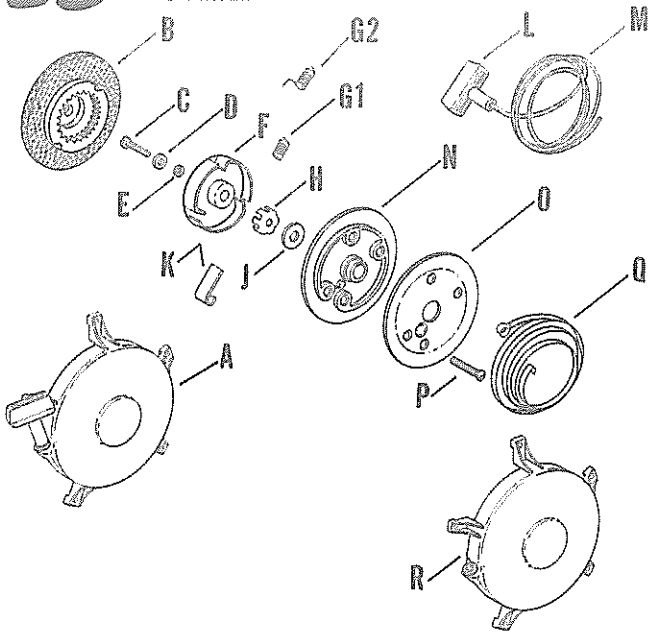
INDEX LTR.	DESCRIPTION VARIATION NUMBER	PART NUMBER	QTY.
M	Washer, brake 2	220614	2
N	Washer, fiber 2,16	220615	2
O	Lever, brake (Discontinued--Not Available) 2,16	220617	1
P	Spring, friction shoe (Discontinued--Not Available) 2,16	220619	2
Q	Plate, spring retainer 2,16	220620	2
R	Plate, friction shoe 2,16	220618	2
S	Shoe, friction 2,16	A-220616	2

23.24

K141

23.24

23 RETRACTABLE STARTER



INDEX LTR.	DESCRIPTION VARIATION NUMBER	PART NUMBER	QTY.
K	Dogs 9,14,99	231695	3
L	Handle 9,14,99	234452	1
M	Rope #6 - 66" 9,99	231686	1
	Rope #6 - 84" 14	236308	1
N	Pulley 9,14,99	231697	1
O	Sheave 9,14,99	231685	1
P	Screw #10 x 1/2 9,14,99	231683	4
Q	Spring, recoil 9,14,99	231705	1
R	Housing 9,14,99	231702	1

24 REMOTE THROTTLE

INDEX LTR.	DESCRIPTION VARIATION NUMBER	PART NUMBER	QTY.
Use stock of original part number before ordering replacement.			
A	Clamp, swivel wire 24	48 237 01	1
	Linkage 26	232630	1

INDEX LTR.	DESCRIPTION VARIATION NUMBER	PART NUMBER	QTY.
C	Clip, cable 1,4,5,6,7,25	210149	1
	3	210149	3
D	Control, throttle 24	231969	1
E	Control, throttle 26	A-232629	1
F	Control, throttle 500	220955	1
G	Lever, throttle (15" cable) 1	230326-1	1
	Lever, throttle (49" cable) (Use 225011-2--See Chart) 3	225011-15	1
	Lever, throttle (26" cable) 4	230326-2	1
	Lever, throttle (60" cable) (Use 225011-6--See Chart) 6	225011-5	1
	Lever, throttle (51" cable) 7	225011-2	1
	Lever, throttle (18" cable) 25	230326-5	1
	Lever, throttle (72" cable) 501	225011-6	1

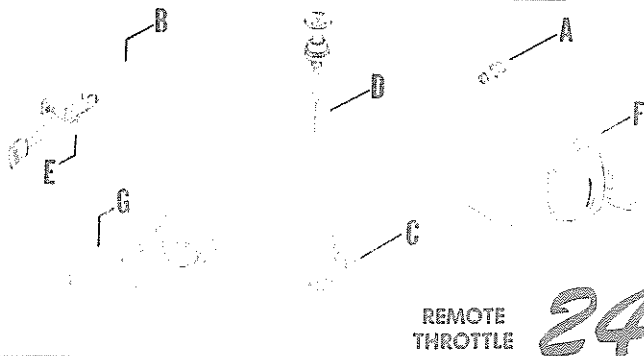
THROTTLE LEVERS

To simplify stock requirements, throttle levers are furnished only in certain wire lengths. The following replacement levers apply to the K141.

225011-2: Use to replace levers with 41" to 51" long wires.
225011-6: Use to replace levers with 60" to 72" long wires.

When using the replacement lever, the wire and casing must be cut to match the length of the unit it replaces. Instructions will be packaged with these replacement levers. The length of the wire and casing of levers being replaced on the K141 engines are shown below.

LEVER NUMBER	WIRE LENGTH	CASING LENGTH
225011-5	60"	57"
225011-15	49"	46"



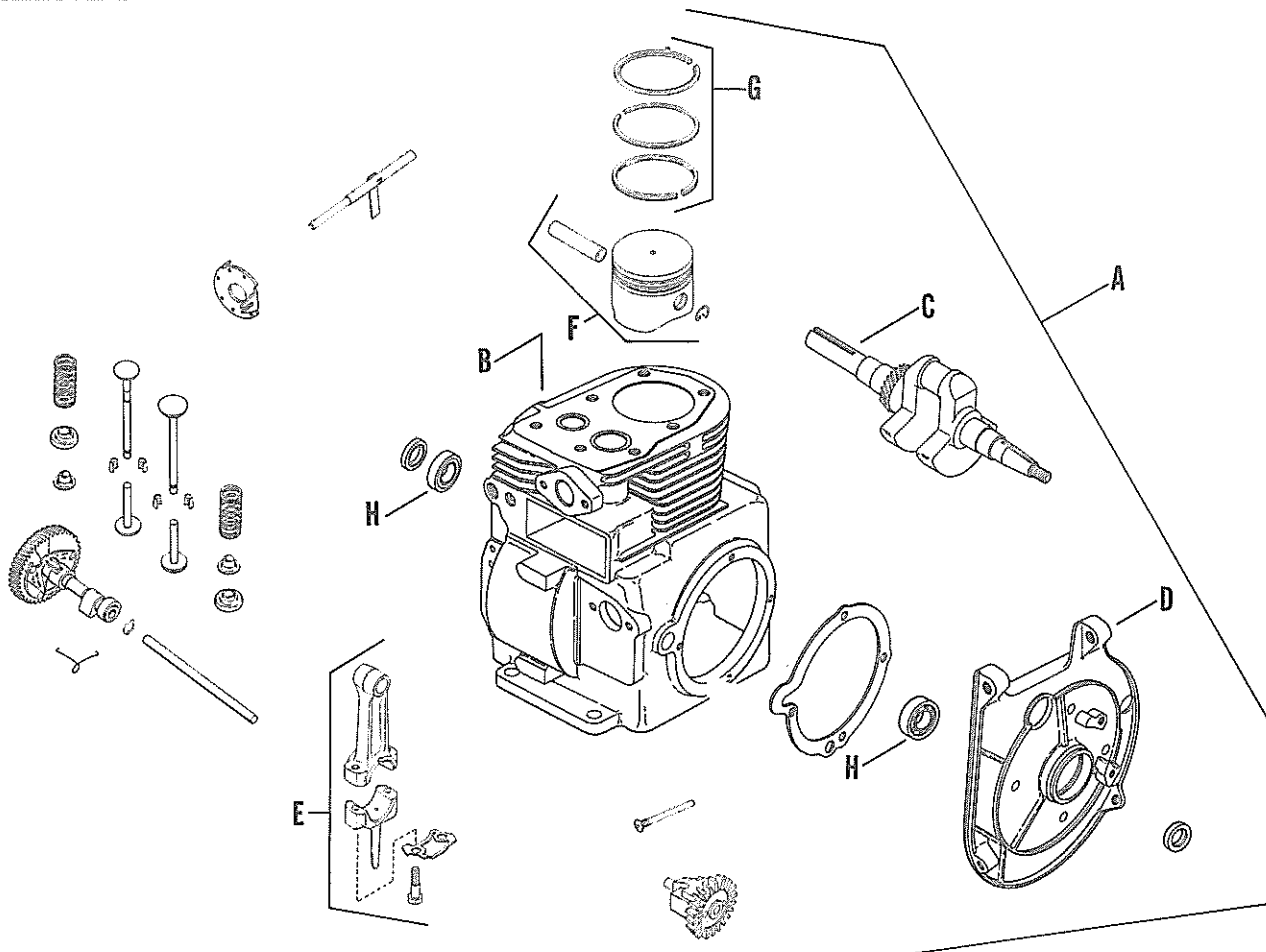
REMOTE THROTTLE **24**

41

K141

41

41 SHORT BLOCK



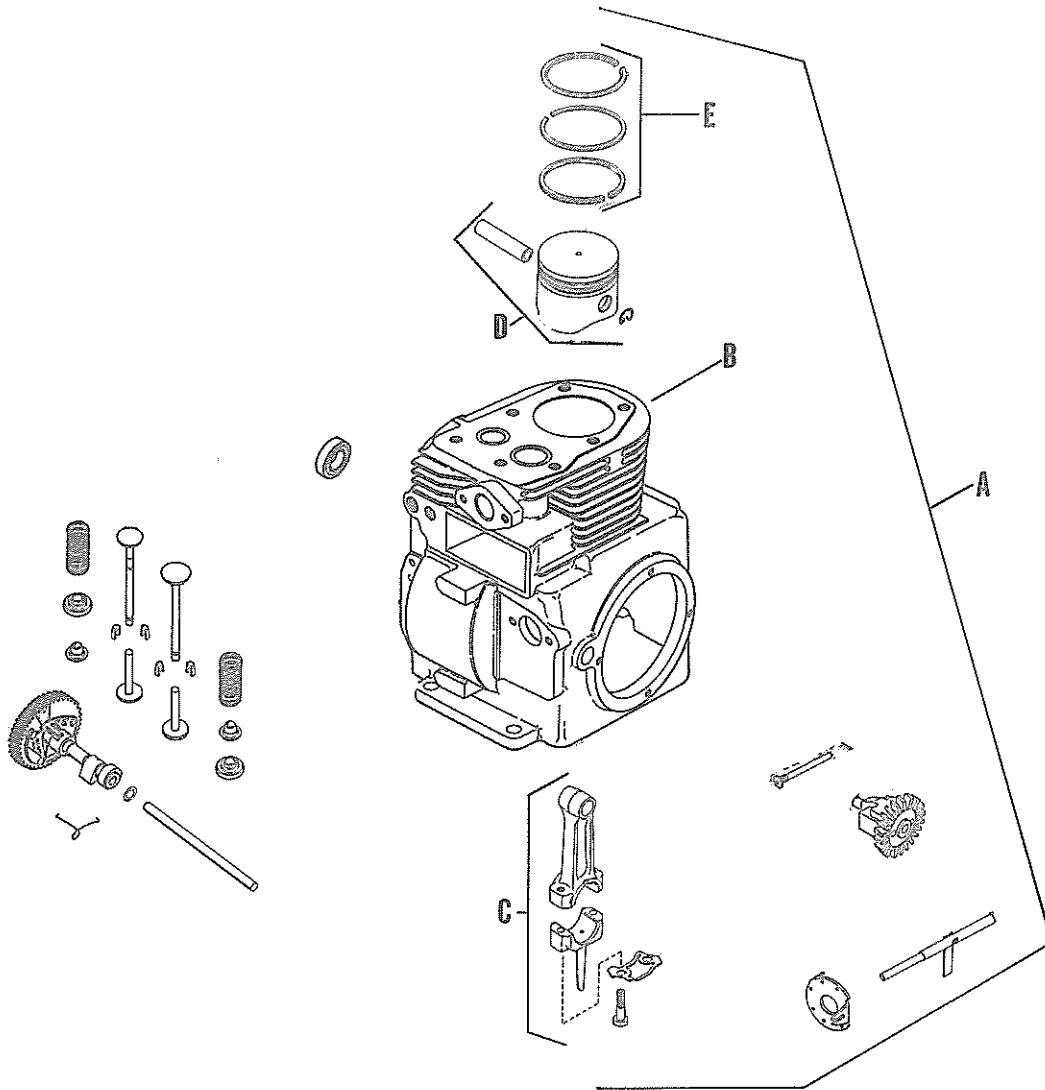
INDEX LTR.	DESCRIPTION VARIATION NUMBER	PART NUMBER	QTY.	INDEX LTR.	DESCRIPTION VARIATION NUMBER	PART NUMBER	QTY.
	Use stock of original part number before ordering replacement.			C	Crankshaft (Std.-tapped) 1,2,3	230450	1
A	Short block - assembly (Replaced by C-234982) (Bore 2-15/16) 1,3	B-234982	1		Crankshaft (Std.) 4	230395	1
	Shortblock - assembly (Replaced by C-234887) 2	B-234887	1	D	Plate, bearing 1,3	231654	1
	Short block - assembly (Replaced by 41 522 12) 4	A-238027	1		4	230062	1
B	Block, cylinder - assembly (Bore 2-15/16) (Replaced by C-234989 Miniblock) 1,2	41 005 03	1		Plate, bearing (Replaced by 41 156 02) 2	41 156 01	1
	4	41 005 01	1	E	Rod, connecting-assem. (Std.) 1,2,3,4	B-230039	1
	Block, cylinder - assembly (Discontinued--Not Available) (Bore 2-15/16) 3	41 005 06	1	F	Piston - assembly--Std. (Bore 2-15/16) 1,2,3,4	A-234950	1
				G	Ring set - Std. (Bore 2-15/16) 1,2,3,4	232575	1
				H	Bearing, ball 1,2,3,4	231625	2

42

K141

42

42 MINIBLOCK



INDEX LTR.	DESCRIPTION VARIATION NUMBER	PART NUMBER	QTY.	INDEX LTR.	DESCRIPTION VARIATION NUMBER	PART NUMBER	QTY.
	Use stock of original part number before ordering replacement.				(B - CONTINUED)		
A	Miniblock (Bore 2-15/16) (Replaced by B-234998) 1	A-234998	1	B	Block, cylinder - assembly (Discontinued--Not Available) (Bore 2-15/16) 2	41 005 06	1
	Miniblock (Replaced by B-234999) 2	A-234999	1	C	Rod, connecting - assembly (Std.) 1,2	B-230039	1
	Block, cylinder - assembly (Bore 2-15/16)(Replaced by C-234989 Miniblock) 1	41 005 03	1	D	Piston - assembly--Std. (Bore 2-15/16) 1,2	A-234950	1
				E	Ring set-Std. (Bore 2-15/16) 1,2	232575	1

43

K141

43

43 UNIVERSAL SERVICE ENGINE SPECIFICATION

Service Engines are selected on the basis of their ability to be adapted to a specific application. Certain applications will require one or more modifications. Modifications listed in this group may be needed in addition to those listed in Group 44 - Service Engine Modifications.

Service Engines have 2-15/16" bore, 2-3/4" stroke and 5-3/4" pilot. See page 39 (Grid C11) for crankshaft details.

VARIATION NUMBER	SPECIFICATION NUMBER	DESCRIPTION
1	30538*	SERVICE ENGINE: Starting Motor
2	30502*	SERVICE ENGINE: Basic, Rope Start
3	30503*	SERVICE ENGINE: Pump, Rope Start
4	30505*	SERVICE ENGINE: Gear Reduction, Rope Start
5	30537*	SERVICE ENGINE: Retractable Starter
6	30536*	SERVICE ENGINE: Motor-Generator

*Modifications may be required on this engine. Check Group 44 of the Spec No. Index. See page 43.2 (Grid C13) for additional application information.

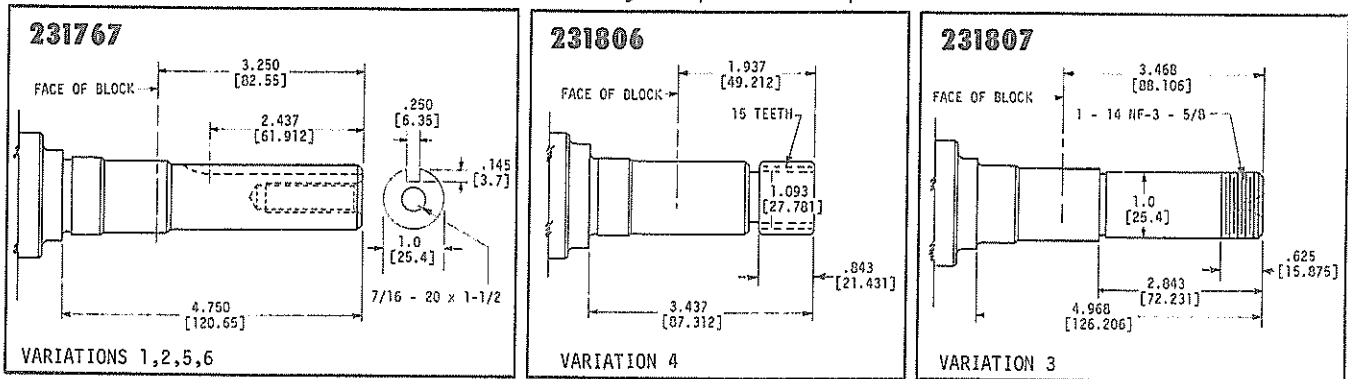
PARTS GROUPS, APPLICATION AND MODIFICATION FEATURES

<u>PARTS GROUPS</u>	<u>DESCRIPTION, FEATURES AND SPECIAL INSTRUCTIONS</u>
AIR INTAKE	Dry Type Air Cleaner Furnished. Transfer or order other types only when necessary to retain for application involved.
BAFFLES & SHROUD	High Clearance Type.
CAMSHAFT & VALVES	ACR camshaft. Stellite exhaust valve and exhaust valve rotator.
CARBURETOR	Side Draft Gasoline Type Furnished. See Group 44 - Service Engine Modifications if other type required.
CRANKCASE	Features described previously.
CRANKSHAFT	See accompanying illustrations on page 39 (Grid C11) for details. <u>NOTE:</u> On some applications, crankshaft length may have to be cut to length required.
CYLINDER HEAD	Standard head furnished.
DIPSTICK	Shoulder type furnished. If desired, transfer flange type and plug shoulder hole. Use one of the combinations shown in the accompanying illustrations for other variations.
ELECTRIC START	Not Furnished. See Group 44 - Service Engine Modifications
EXHAUST	Pancake type furnished. For other applications, see Group 12.
FLYWHEEL	Provisions for front drive shaft on Variation 6. Variation 1 has ring gear for starting motor.
FUEL PUMP	Not Furnished. Transfer components if necessary for application.
FUEL TANK	Not Furnished. See Group 44 - Service Engine Modifications.
GEAR REDUCTION	Not Furnished. Transfer from original engine or order and install parts as called for in original spec. See Group 16.
GOVERNOR	Variable speed furnished. Transfer other types only if necessary to retain special features.
IGNITION	Flywheel magneto type ignition furnished on Variations 2,3,4 and 5. Variation 1 has battery ignition with 15 amp alternator* charging system. Variation 6 has battery ignition--charging provided by motor-generator which must be transferred.

*A 15 amp. rectifier-regulator (#237355) and connector (#237129) must be used with this system.

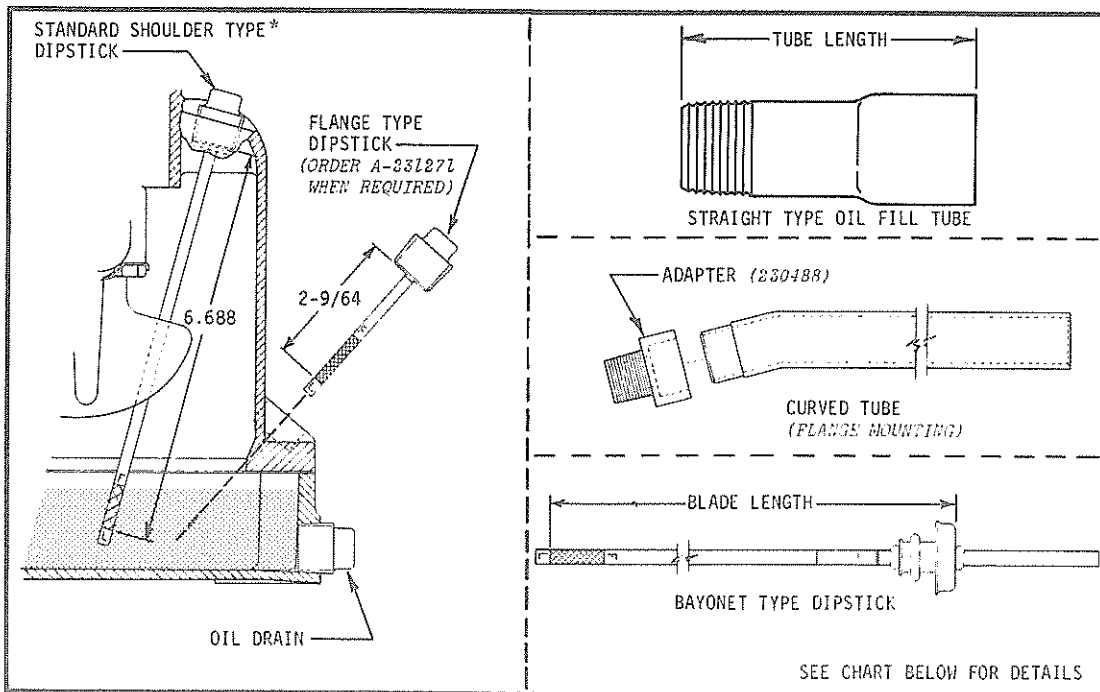
PARTS GROUPS, APPLICATION AND MODIFICATION FEATURES - CONTINUED

<u>PARTS GROUPS</u>	<u>DESCRIPTION, FEATURES AND SPECIAL INSTRUCTIONS</u>
INSTRUMENT PANEL	Not Furnished. Transfer from original engine or order and install parts as called for in original spec. See Group 19.
OIL PAN	Oil drains provided on both sides.
PISTON & ROD	Standard
RETRACTABLE STARTER	Furnished on Variation 5. All rope start versions can be converted to retractable start with Kit #41 755 01.
REMOTE THROTTLE	Not Furnished. Transfer from original engine or order and install parts as called for in original spec. See Group 24.



SERVICE ENGINE CRANKSHAFT DETAILS

(For additional information refer to Crankshaft Publications (ENS-708-A))



<u>TUBE PART NO.</u>	<u>TUBE LENGTH</u>	<u>DIPSTICK PART NO.</u>	<u>DIPSTICK BLADE LENGTH</u>
221264	1-7/8"	A-231495	8-11/32"
234975	5-9/16"	A-231496	12"
234977	10-9/16"	A-232805	16-31/32"
232792*	5-3/16"	A-232791	8-1/16"

*NOTE: Curved tube--order 230488 adapter, press tube into adapter then install on engine.

44 UNIVERSAL SERVICE ENGINE MODIFICATIONS

To determine modifications needed to make the designated Service Engine compatible to the original engine, check original specification and locate the variation number assigned under Group 44 - Service Engine Modifications. These modifications are in addition to those explained in Group 43 - Service Engines.

Use the following chart and find the Index Letter (s) applicable to the Service Engine modification number. (Example: Original engine specification calls for Service Engine modification variation 11. Variation 11 calls for Index Letters A and E. Index Letter A is for side mount fuel tank and Index Letter E is for starting motor.)

VARIATION NUMBER	APPLICABLE INDEX LETTER(S)	VARIATION NUMBER	APPLICABLE INDEX LETTER(S)
10	C	15	E
11	A,E	16	C,E
12	D	17	A,D
13	B,C	18	A
14	A,B		

INDEX LETTER	DESCRIPTION	INSTRUCTIONS
A	SIDE MOUNT FUEL TANK	Transfer from original engine or order and install Kit #41 760 01. <u>NOTE:</u> This kit cannot be used on Variation 7.
B	KEROSENE FUEL SYSTEM	Remove gasoline carburetor from Service Engine and install Carburetor #B-231469 from original engine. Remove cylinder head from Service Engine and replace with Cylinder Head #230403. Transfer fuel cup and other associated parts from original engine or order and install parts as called for in original specification. See Group 5.
C	TOP MOUNT FUEL TANK	Transfer from original engine or order and install Kit #234996. <u>NOTE:</u> This kit cannot be used on Variations 6 and 7.
D	MOTOR-GENERATOR	Transfer from original engine or order and install parts as called for in original spec. See Group 11. <u>NOTE:</u> Wherever possible, recommend using Spec 30538 and Starting Motor Kit #234995.
E	STARTING MOTOR	Transfer from original engine or order and install Kit #234995.

**A 15 amp rectifier-regulator (#237335) and connector (#237429) must be used with this system.*

K141 LIMITED PRODUCTION ENGINE SPECIFICATION

The following engines were produced in limited sample quantities and do not appear in the specification index.

29101	29174	29227	29282
29106	29177	29228	29286
29107	29178	29229	29291
29108	29180	29231	29292
29114	29182	29233	29295
29115	29184	29234	29298
29116	29185	29239	29300
29117	29187	29240	29303
29119	29188	29244	29304
29122	29192	29248	29306
29126	29193	29250	29311
29130	29198	29253	29319
29132	29200	29254	29325
29133	29202	29255	29326
29135	29203	29256	29327
29137	29206	29257	29328
29144	29207	29258	29337
29145	29208	29260	29339
29147	29210	29263	29341
29149	29213	29264	29347
29153	29214	29267	29348
29158	29215	29269	29349
29163	29216	29271	29350
29164	29217	29272	29412
29165	29219	29276	29418
29168	29223	29279	29419
29170	29226	29280	

GASKET SET - 41 004 01 (WITHOUT SEALS)

Part No.	Description	Qty.
AC-1787	Gasket, air cleaner	1
210223	Gasket, carburetor	2
220174	Gasket, breaker cover	1
220537	Gasket, air horn	1
230046	Seal, breather	1
230048	Gasket, valve cover	2
230071	Gasket, bearing plate	1
230112	Shim	5
231090	Gasket, exhaust	1
41 041 01	Gasket, exhaust	1
41 041 03	Gasket, oil pan	1
41 041 04	Gasket, air cleaner	1
41 041 05	Gasket, cylinder head	1
47 041 04	Gasket, fuel pump	1

GASKET SET - 41 755 06 (INCLUDES SEALS)

Part No.	Description	Qty.
X-583-1	Seal, front oil	1
X-583-2	Seal, rear oil	1
AC-1787	Gasket, air cleaner	1
210223	Gasket, carburetor	2
220174	Gasket, breaker cover	1
220537	Gasket, air horn	1
230046	Seal, breather	1
230048	Gasket, valve cover	2
230071	Gasket, bearing plate	1
230112	Shim	5
231090	Gasket, exhaust	1
41 041 01	Gasket, exhaust	1
41 041 03	Gasket, oil pan	1
41 041 04	Gasket, air cleaner	1
41 041 05	Gasket, cylinder head	1
47 041 04	Gasket, fuel pump	1

KOHLER engines

ENGINE DIVISION, KOHLER CO., KOHLER, WISCONSIN 53044